

MEASUMAX 34-217

Dial Test Indicator - Metric

Jewel Movement - Measuring In Both Directions



MeasumaX



MEASUMAX Dial Test Indicator - Metric 34-217

Rear Mounting



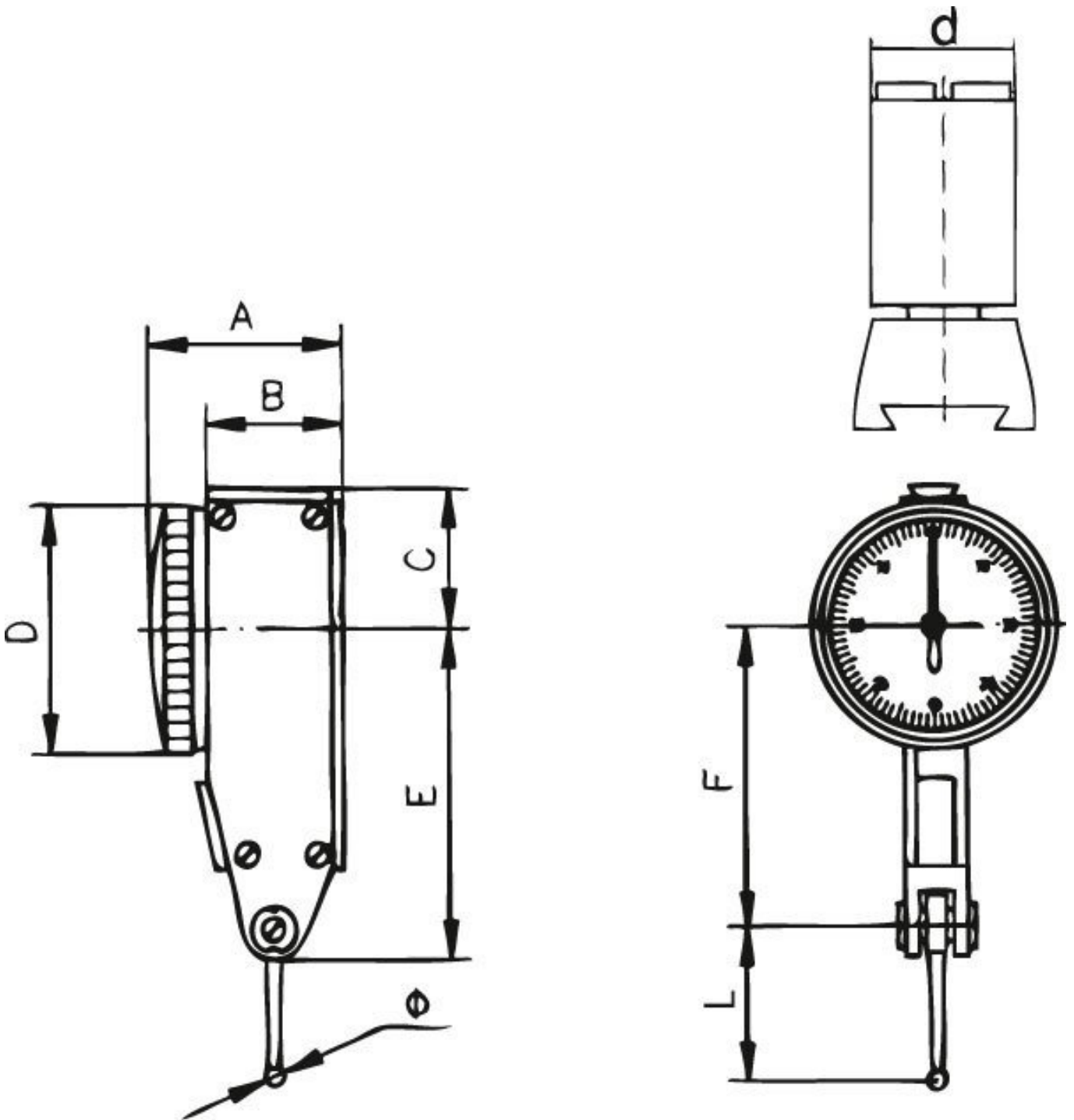
Front Mounting

Features

- The dial test indicator is ideally suited for all kinds of comparative measurements in the workshop and inspection room
- It also can be used together with machine tools, apparatus and other measuring devices - Steel ball end
- Jewel movement - measuring in both directions

Specifications

MEASUMAX Dial Test Indicator - Metric 34-217



MEASUMAX Dial Test Indicator - Metric 34-217

ORDER CODE

MEASUMAX Dial Test Indicator - Metric 34-217

Q217

Range	0 - 0.8mm
Graduations	0.01mm
A (mm)	26.35
B (mm)	18.35
B1 (mm)	~
C (mm)	16.5
D (mm)	Ø37
d (mm)	6 / 8
E (mm)	44
F (mm)	39.75
G (mm)	~
H (mm)	~
I (mm)	~
J	~
K (mm)	~
L (mm)	16.5
L1 (mm)	~
Ø (mm)	2