

MEASUMAX 34-216

Micron Dial Indicator

0-12.7mm



Measumax

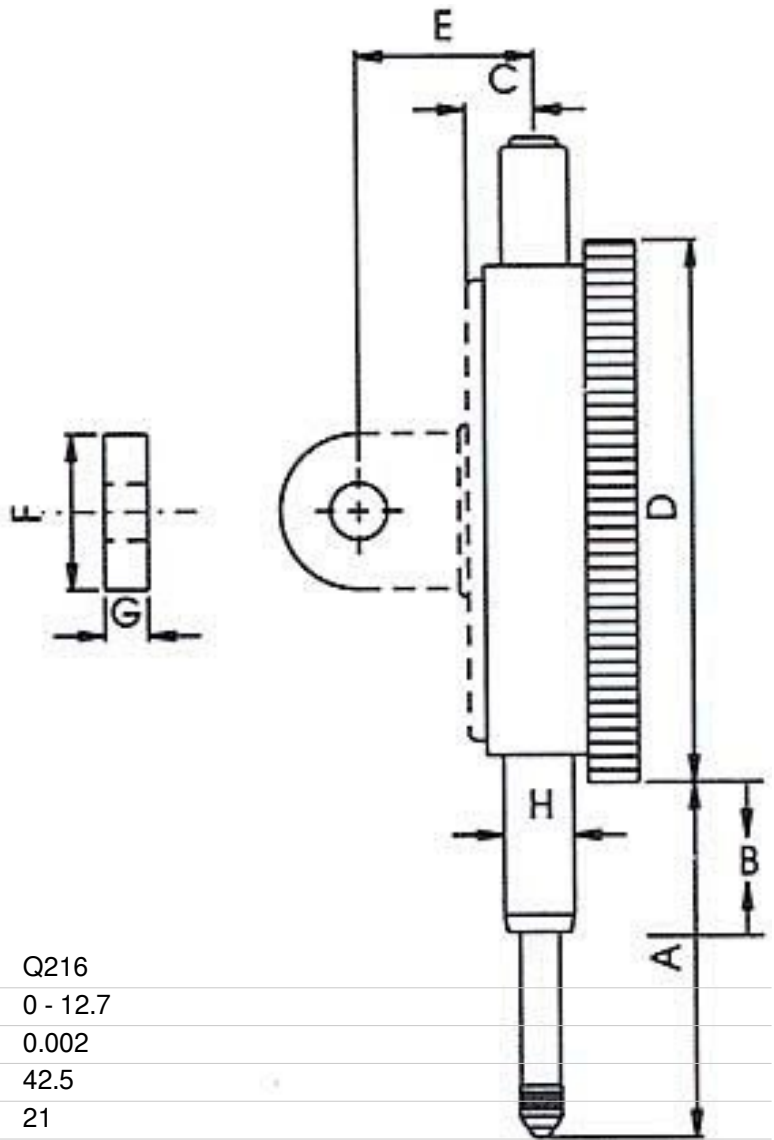
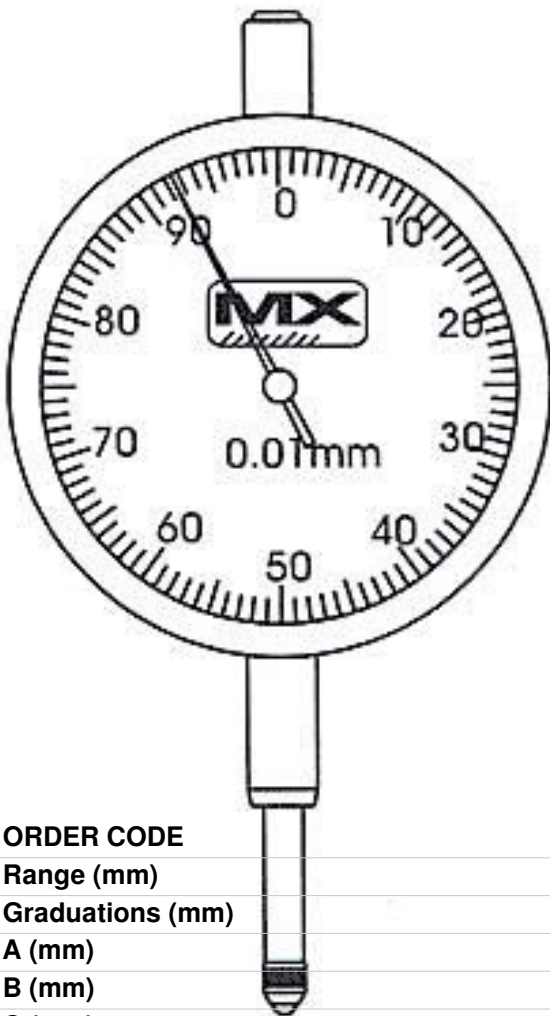


MEASUMAX Micron Dial Indicator 34-216

Features

- Smooth 10 jewel movement
- In-out tolerance marker
- Flat glass - metal bezel
- Protected top spindle extension
- Flat back and back lug
- Peach shape body
- Dial reads 0.002mm (2µm)
- Supplied in foam lined plastic case with test reports

Specifications



ORDER CODE	Q216
Range (mm)	0 - 12.7
Graduations (mm)	0.002
A (mm)	42.5
B (mm)	21
C (mm)	8
D (mm)	57
E (mm)	19
F (mm)	17
G (mm)	6.35

MEASUMAX Micron Dial Indicator 34-216

H (mm)	8
---------------	----------
