

MEASUMAX 36-210

Digital Height Gauge

0 - 300mm



MEASUMAX Digital Height Gauge 36-210



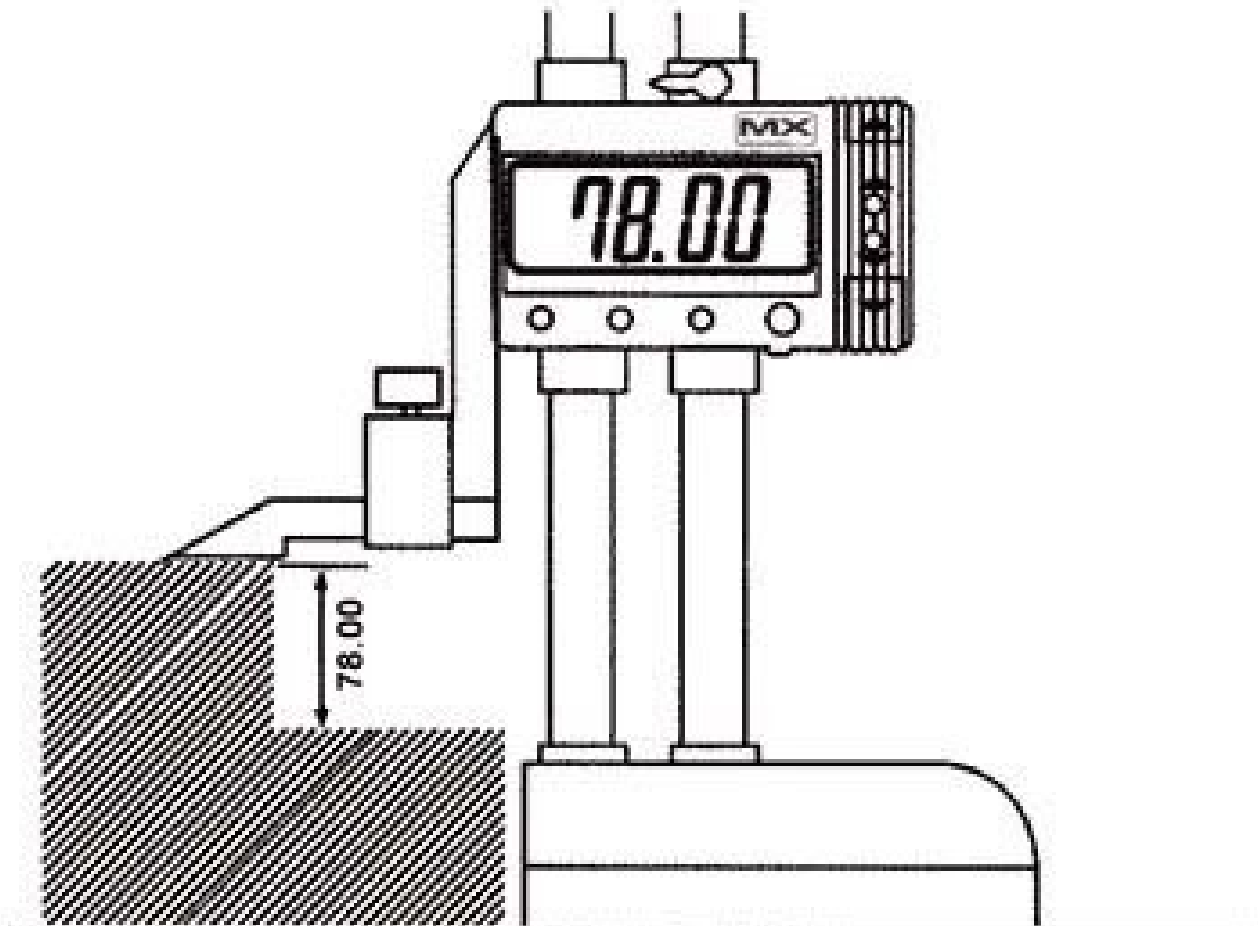
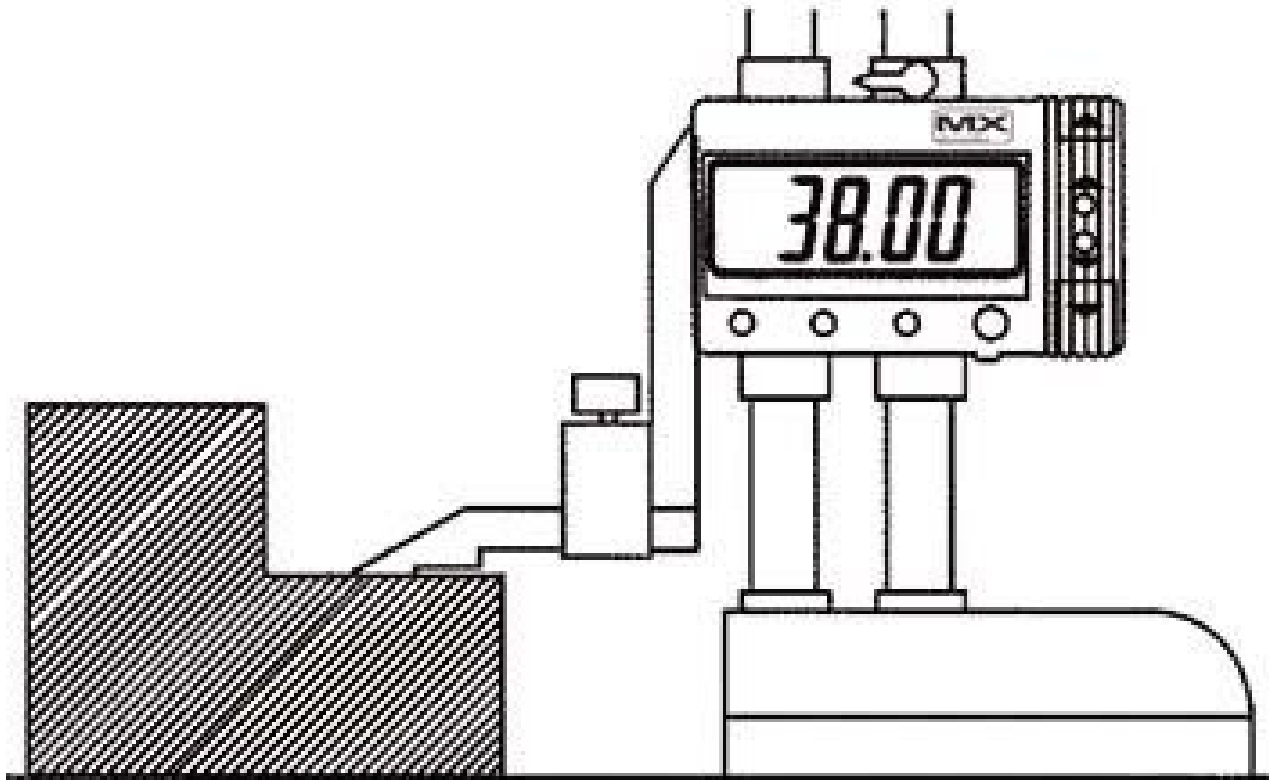
Close Up

Features

- Dual column for precision accuracy
- Large display screen
- Metric/Imperial conversion
- Manual ON/OFF
- Absolute and comparison measurements
- Zero at any position
- Hold and tolerance functions
- Vertical feed wheel for easy adjustment

Specifications

MEASUMAX Digital Height Gauge 36-210



MEASUMAX Digital Height Gauge 36-210

ORDER CODE

MEASUMAX Digital Height Gauge 36-210

Q210

Range (mm / inch)	0 - 300mm
Type	Digital
Resolution (mm / inch)	0.01mm / 0.001"
Accuracy (mm)	±0.04