

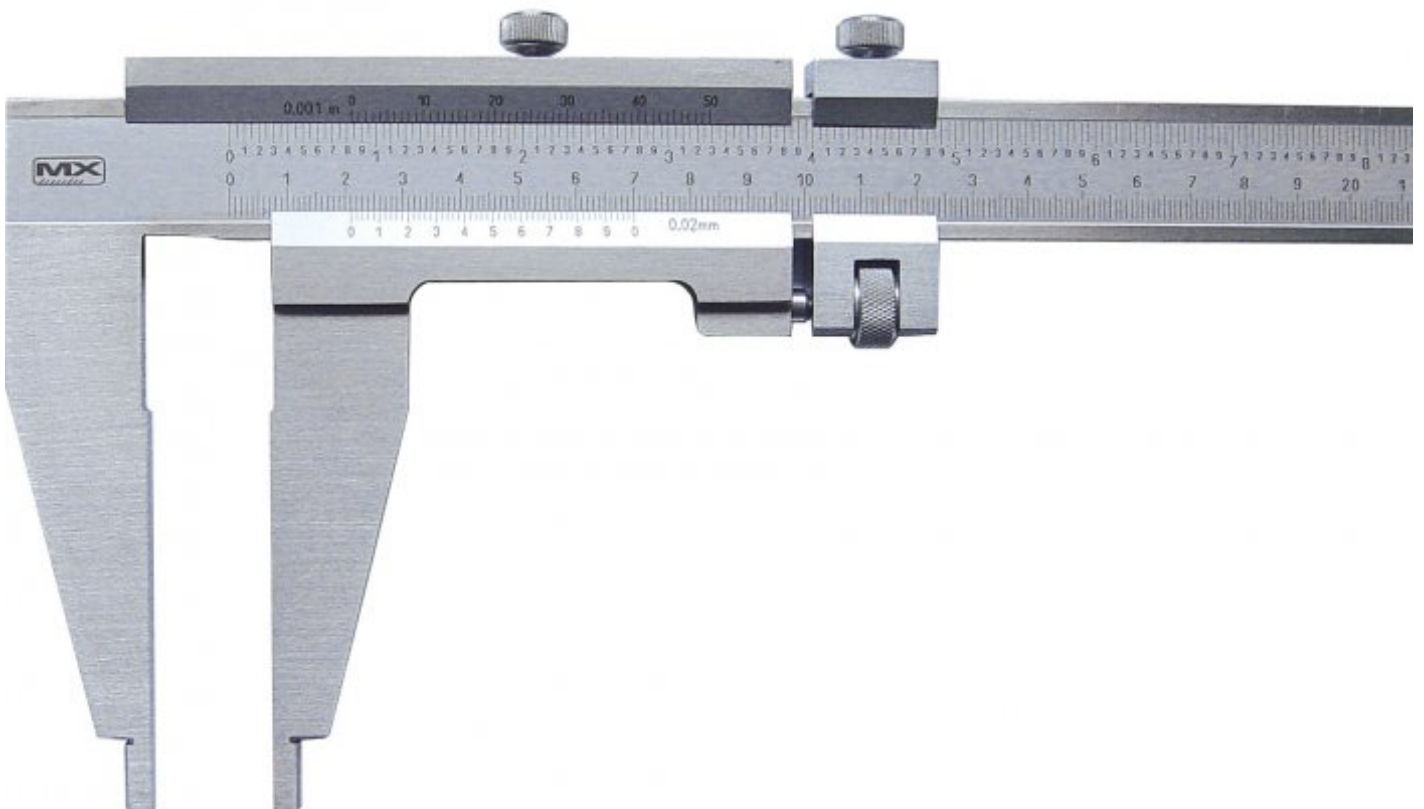
MEASUMAX 33-1995



MeasumaX

Vernier Calipers

1500mm/60"



MEASUMAX Vernier Calipers 33-1995



Metric and Imperial Graduations

Features

- Precision vernier calipers with stainless steel body and slides
- Clear graduations - Metric/Imperial graduations
- Mono-block design
- Supplied in wooden case
- Instrument are manufactured to ISO 10012:2003
- An ISO9001:2000 Company

Specifications

ORDER CODE	Q1995
Range (mm / inch)	1500mm / 60"
Graduations (mm / inch)	0.02mm / 0.001"
Accuracy (mm)	±0.08
J (mm)	200
B (mm)	20
C (mm)	20
D (mm)	40