

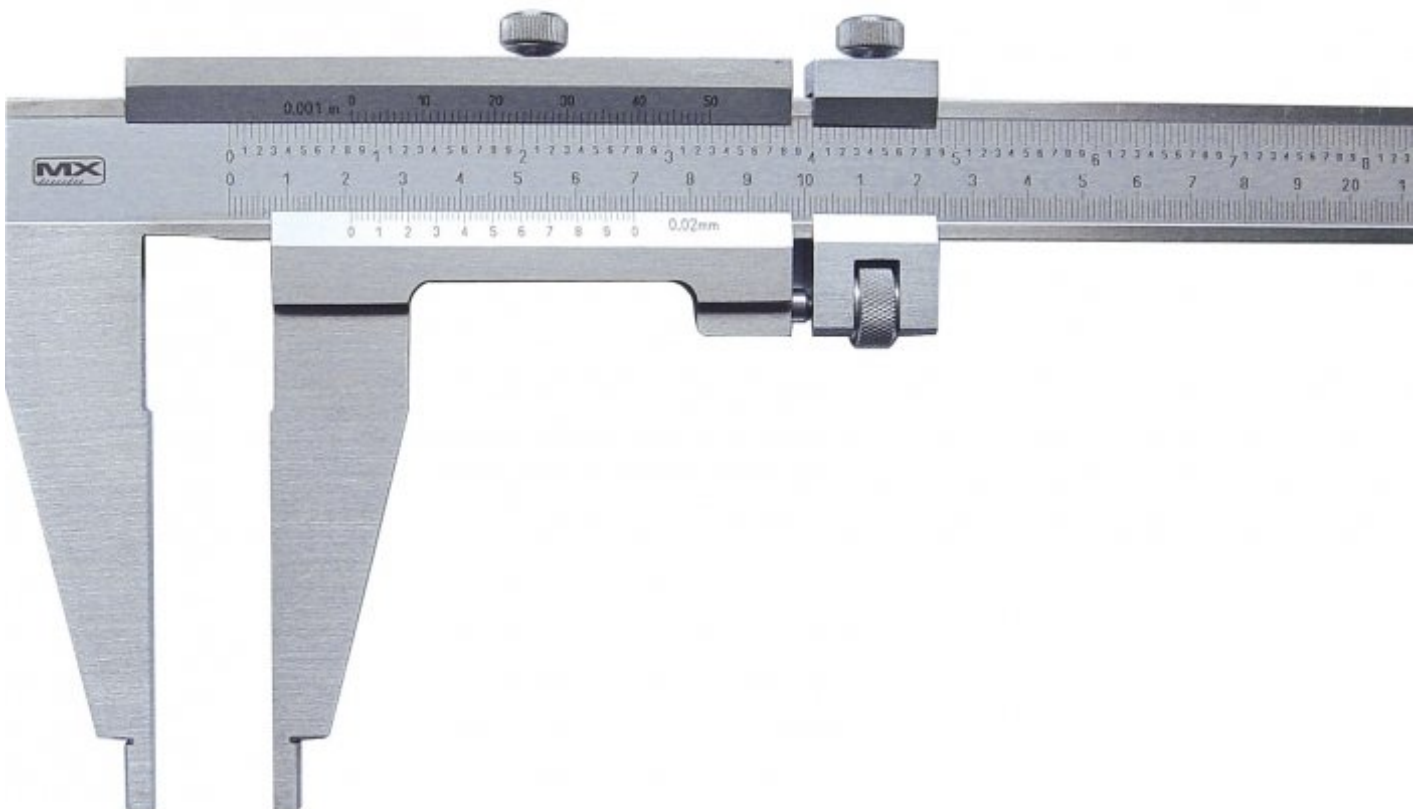
MEASUMAX 33-198

Vernier Calipers

600mm/24"



MeasumaX



MEASUMAX Vernier Calipers 33-198



Full View



Metric and Imperial Graduations

Features

- Precision vernier calipers with stainless steel body and slides
- Clear graduations - Metric/Imperial graduations
- Mono-block design
- Supplied in wooden case
- Instrument are manufactured to ISO 10012:2003
- An ISO9001:2000 Company

Specifications

ORDER CODE	Q198
Range (mm / inch)	600mm / 24"
Graduations (mm / inch)	0.02mm / 0.001"
Accuracy (mm)	±0.05
J (mm)	100
B (mm)	10
C (mm)	12
D (mm)	25