

MEASUMAX 32-196

Heavy Duty Vernier Caliper - Metric

300mm



MeasumaX



MEASUMAX Heavy Duty Vernier Caliper - Metric 32-196



Close Up

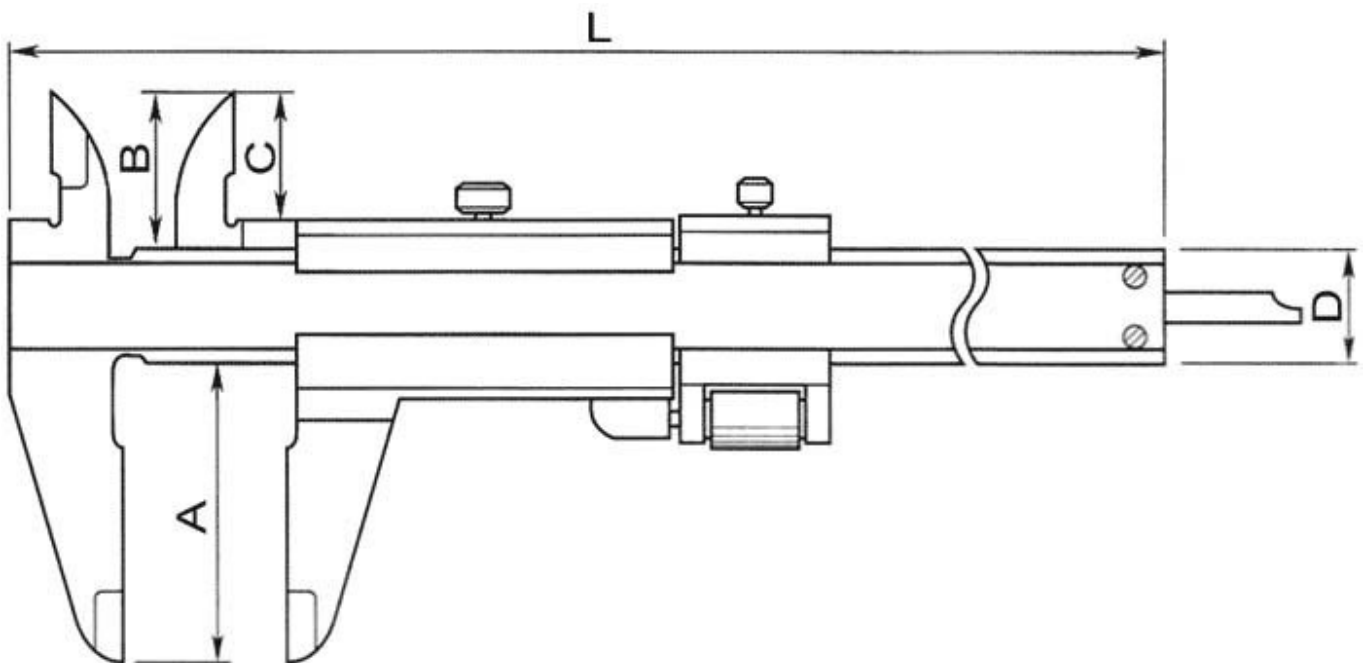


Metric Graduations

Features

- Mono-block vernier with extended jaws
- With fine adjustment
- Made of stainless steel
- 3-Way measuring (No depth bar)
- Long Jaws for measuring hard to reach parts
- Supplied in foam lined plastic case

Specifications



ORDER CODE	Q196
Range	300mm
Graduations	0.02mm
Accuracy (mm)	~
A (mm)	60

MEASUMAX Heavy Duty Vernier Caliper - Metric 32-196

B (mm)	38
C (mm)	32
D (mm)	20
L (mm)	450
4 Way (Yes / No)	No