

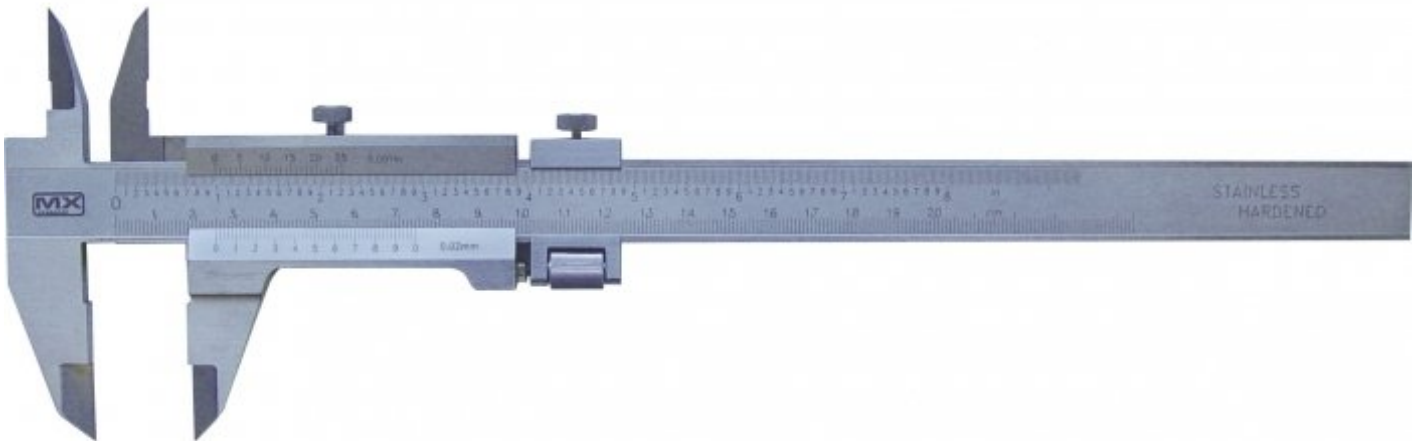
MEASUMAX 32-195



Measumax

Vernier Calipers

200mm / 8"



MEASUMAX Vernier Calipers 32-195



Close Up

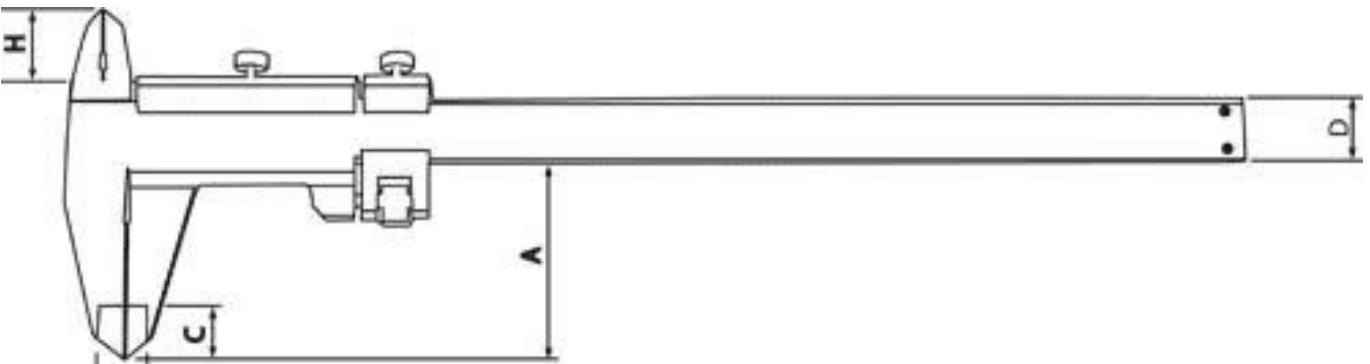


Metric and Imperial Graduations

Features

- Mono-block vernier with extended jaws
- With fine adjustment
- Made of stainless steel
- 3-Way measuring (No depth bar)
- Long Jaws for measuring hard to reach parts
- Supplied in foam lined plastic case

Specifications



ORDER CODE	Q195
Range	~
Graduations	~
Accuracy (mm)	~
A (mm)	~
B (mm)	~
C (mm)	~
D (mm)	~
L (mm)	~
4 Way (Yes / No)	~