

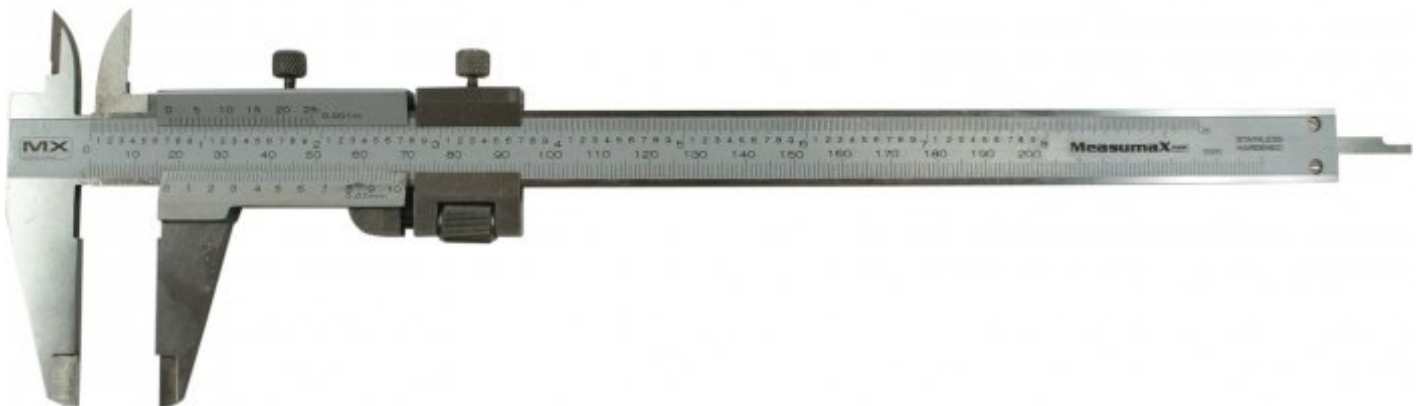
**MEASUMAX 32-1946**



**MeasumaX**

**Vernier Calipers**

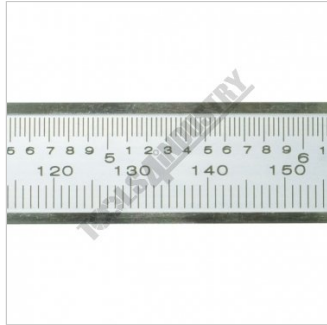
**180mm / 7"**



## MEASUMAX Vernier Calipers 32-1946



Close Up



Metric and Imperial Graduations

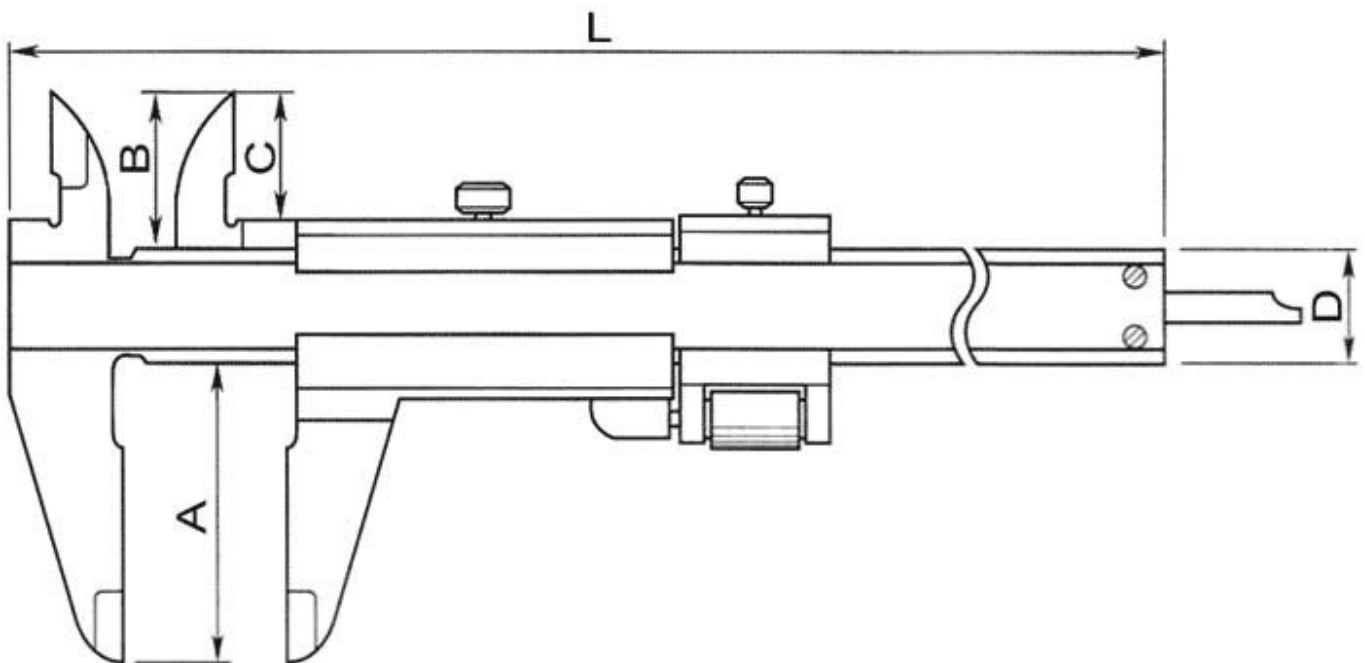


Pouch

### Features

- Mono-block vernier
- With fine adjustment
- Made of stainless steel
- 4-Way measuring
- Accuracy  $\pm 0.03\text{mm}$
- Supplied with vinyl protective sleeve

### Specifications



<b>ORDER CODE</b>	Q1946
<b>Range</b>	180mm / 7"
<b>Graduations</b>	0.02mm / 0.001"
<b>Accuracy (mm)</b>	$\pm 0.03$
<b>A (mm)</b>	50

## MEASUMAX Vernier Calipers 32-1946

<b>B (mm)</b>	25
<b>C (mm)</b>	20
<b>D (mm)</b>	16
<b>L (mm)</b>	285
<b>4 Way (Yes / No)</b>	Yes