

MEASUMAX 25-1625

Digital 3-Point Internal Micrometers

20-50mm/0.8-2"



Measumax



MEASUMAX Digital 3-Point Internal Micrometers 25-1625



Set

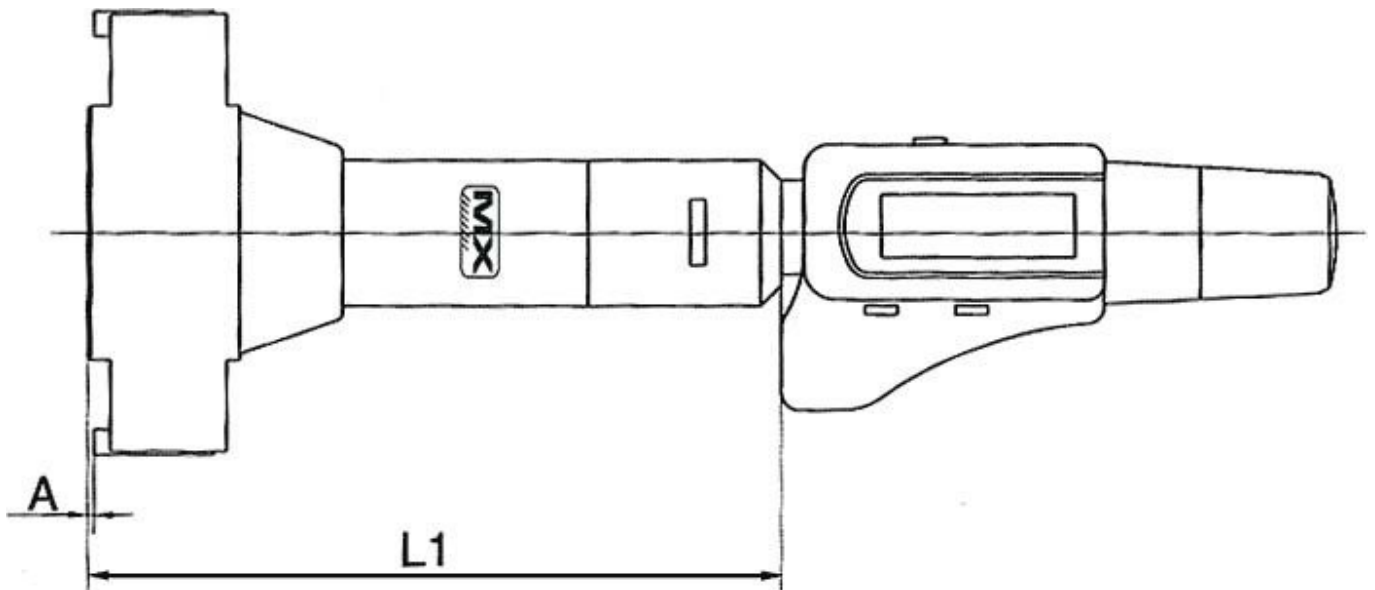
Description

Measumax Digital 3-Point Internal Micrometers are self-centering for accurate measurement of internal diameters. Measurements can be taken close to the bottom of a blind hole

Features

- Carbide tipped contact points
- Protection level IP54 Criterion DIN40050/IEC529
- RS232 data output (Cable 40-400)
- Metric/Inch conversion
- Sets supplied with setting rings
- Supplied in deluxe foam lined aluminium case

Specifications



ORDER CODE	Q1625
Range (mm / inch)	20 - 50mm / 0.8 - 2"
Accuracy (mm)	0.004

MEASUMAX Digital 3-Point Internal Micrometers 25-1625

Individual Range (mm)	20-25,25-30,30-40,40-50
Setting Rings (mm)	Ø25, 40
Extension Rods (mm)	150
A (mm)	0.5
L1 (mm)	107