

**MEASUMAX 10-133**

**Indicator Snap Micrometer**

**25-50mm**



**MeasumaX**



## MEASUMAX Indicator Snap Micrometer 10-133



Test Piece



Test Piece

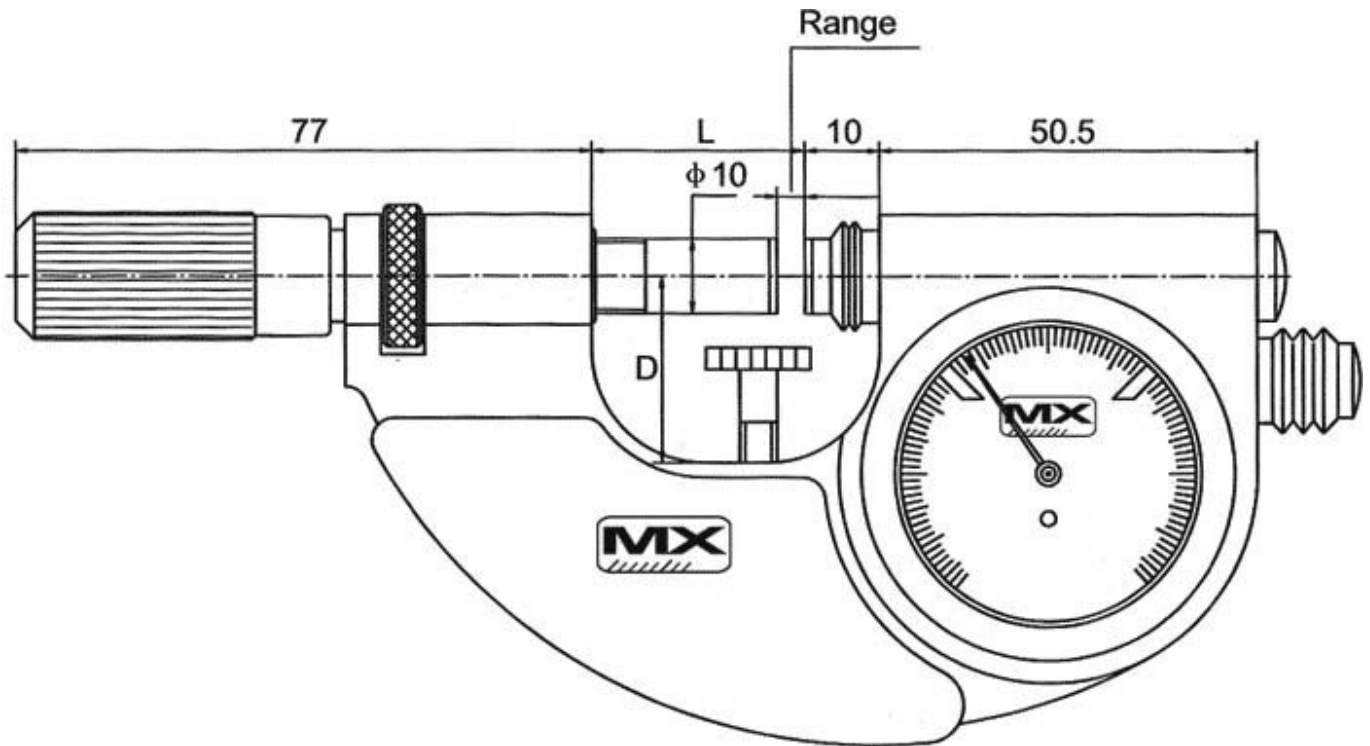


Rear Side

### Features

- Protection level IP54
- 10mm diameter carbide measuring faces
- Direct GO/NOGO judgment for mass produced parts
- Measuring force 5-10N
- Painted frame
- Carbide tipped anvils, Flatness 0.0008mm
- Indicator rang  $\pm 0.04\text{mm}$
- Indicator resolution 0.001mm

### Specifications



ORDER CODE

Q133

**MEASUMAX Indicator Snap Micrometer 10-133**

|                      |         |
|----------------------|---------|
| <b>Range (mm)</b>    | 25 - 50 |
| <b>Accuracy (mm)</b> | 0.001   |
| <b>L (mm)</b>        | 53.5    |
| <b>D (mm)</b>        | 35      |