

MEASUMAX 10-132

Indicator Snap Micrometer

0-25mm



MeasumaX



MEASUMAX Indicator Snap Micrometer 10-132



Test Piece



Test Piece

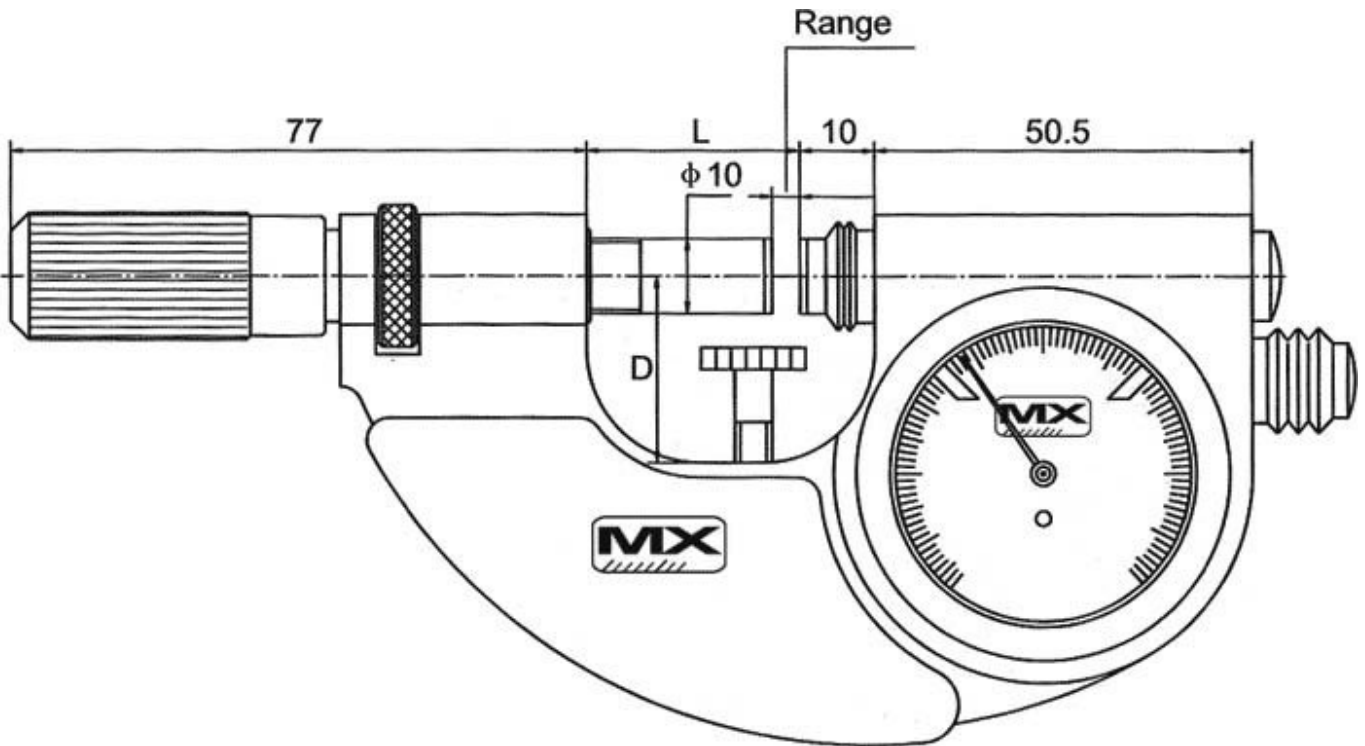


Rear Side

Features

- Protection level IP54
- 10mm diameter carbide measuring faces
- Direct GO/NOGO judgment for mass produced parts
- Measuring force 5-10N
- Painted frame
- Carbide tipped anvils, Flatness 0.0008mm
- Indicator rang $\pm 0.04\text{mm}$
- Indicator resolution 0.001mm

Specifications



ORDER CODE

Q132

MEASUMAX Indicator Snap Micrometer 10-132

Range (mm)	0 - 25
Accuracy (mm)	0.001
L (mm)	28.5
D (mm)	25