

**MEASUMAX 10-131**

**Micrometers - Uni**

**25-50mm**



## MEASUMAX Micrometers - Uni 10-131



Blade Anvil Measuring



Pin Anvil Measuring



Vertical Height Measuring



Blade and Pin Anvils



Shown with Blade Anvil

### Description

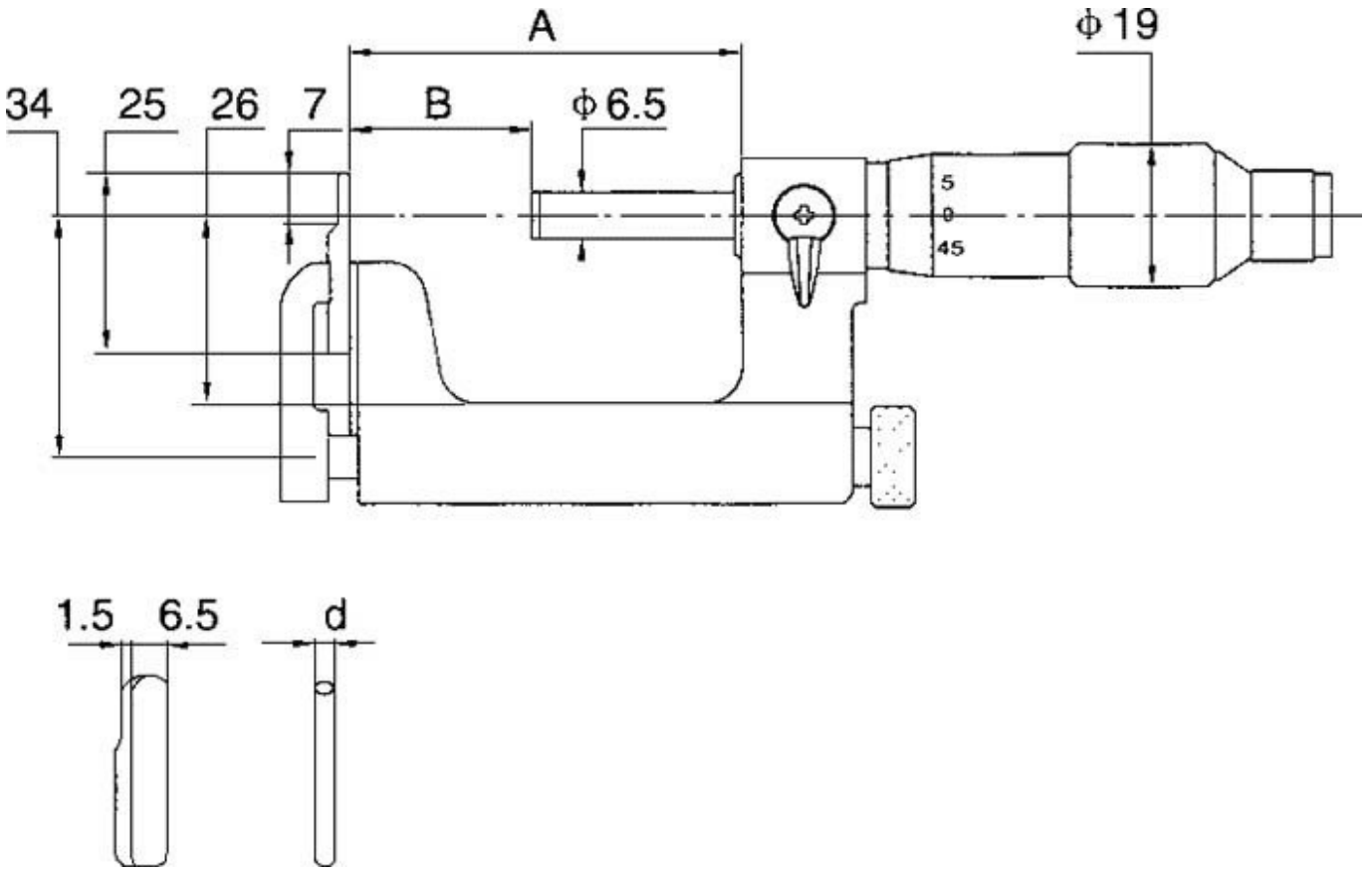
Used for measuring tube thickness, shoulder-edge distance, rivet head height etc, with interchangeable anvils (flat anvil and rod anvil) Can also be used to measure stepped heights when the clamp and anvils are removed.

### Features

- Friction ratchet thimble, chrome plated frame
- Carbide tipped anvils, Flatness 0.0008mm
- Resolution: 0.01mm

### Specifications

**MEASUMAX Micrometers - Uni 10-131**



**MEASUMAX Micrometers - Uni 10-131**

**ORDER CODE**

**MEASUMAX Micrometers - Uni 10-131**

Q131

<b>Range (mm)</b>	25 - 50
<b>Accuracy (mm)</b>	0.004
<b>A (mm)</b>	53.5
<b>B (mm)</b>	25
<b>d (mm)</b>	Ø5