

**MEASUMAX 10-1291**

**Digital Universal Micrometer**

**25-50mm/1-2"**



**MeasumaX**



## MEASUMAX Digital Universal Micrometer 10-1291



Complete with Case



Anvil Set



Shown In Use with Blade Anvil



Shown In Use with Spline Anvil



Shown In Use with Disc Anvil



Shown In Use with Disc Anvil

### Description

Measumax Digital Universal micrometer features, clear easy to read numbers on a large display. Measurements can be made to 3 decimal places with quick, error free readings.

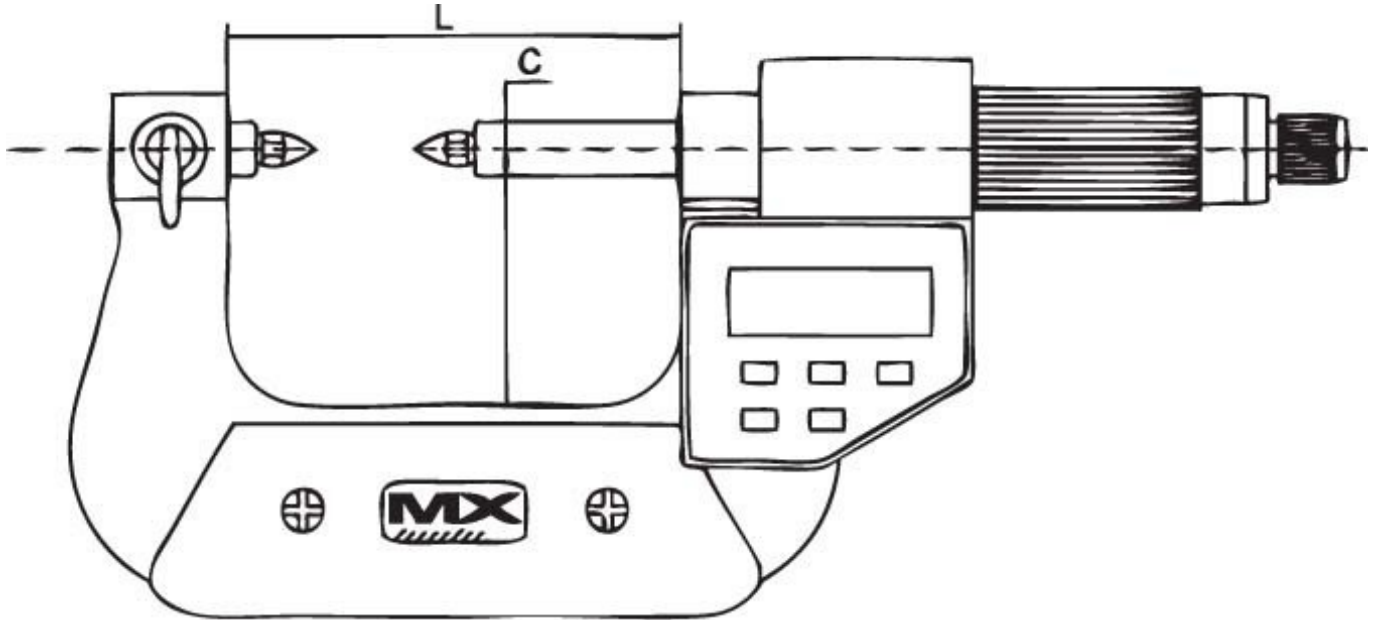
7 pairs of interchangeable anvils supplied with each unit.

### Features

- Heat insulated baked enamel frame
- Resolution 0.001mm/0.0005"
- Protection level IP54, Metric/Inch conversion
- RS232 SPC data transfer (Cable 40-400)
- Ratchet stop
- Carbide tipped anvils, flatness 0.0008mm
- Criterion: DIN863/1, DIN40050/IEC529

**MEASUMAX Digital Universal Micrometer 10-1291**

**Specifications**



<b>ORDER CODE</b>	Q1291
<b>Range (mm / inch)</b>	25 - 50mm / 1 - 2"
<b>Accuracy (mm)</b>	0.002
<b>C (mm)</b>	38
<b>L (mm)</b>	67