

MEASUMAX 10-129

Digital Universal Micrometer

0-25mm/0-1"



MeasumaX



MEASUMAX Digital Universal Micrometer 10-129



Complete with Case



Anvil Set



Shown In Use with Blade Anvil



Shown In Use with Blade Spline Anvil



Shown In Use with Blade Disc Anvil

Description

Measumax Digital Universal micrometer features clear easy to read numbers on a large display. Measurements can be made to 3 decimal places with quick, error free readings.

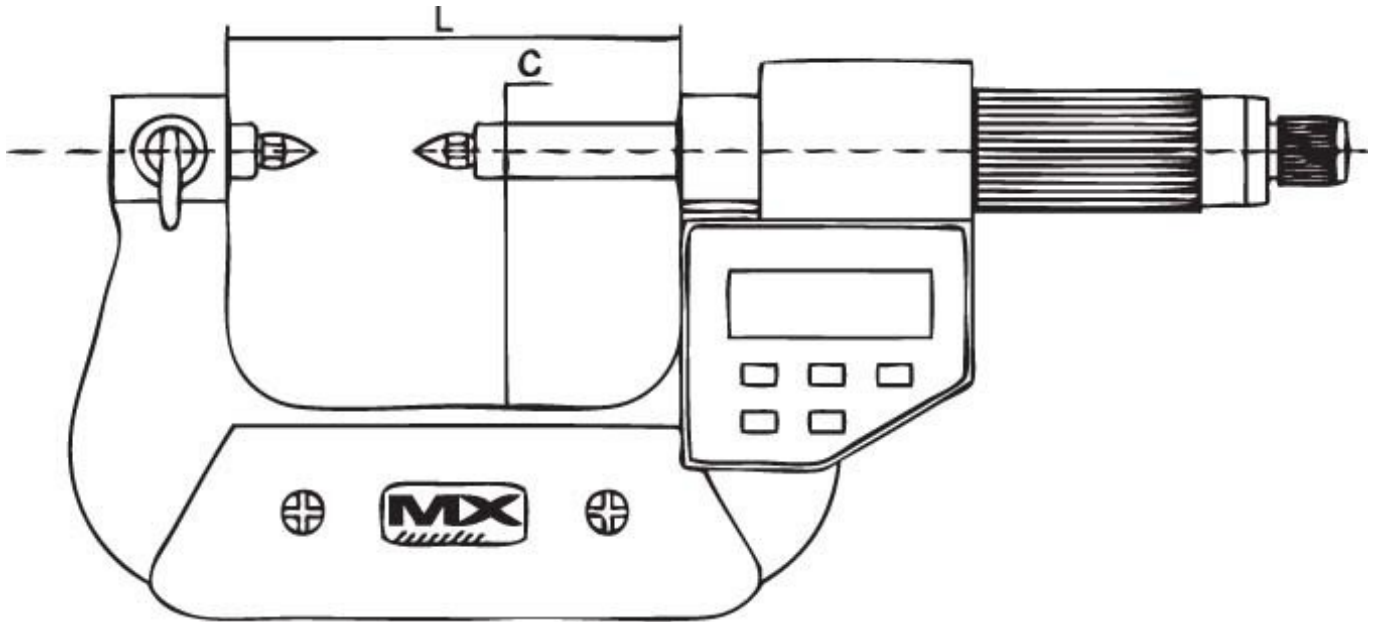
7 pairs of interchangeable anvils supplied with each unit.

Features

- Heat insulated baked enamel frame
- Resolution 0.001mm/0.0005"
- Protection level IP54, Metric/Inch conversation
- RS232 SPC data transfer (Cable 40-400)
- Ratchet stop
- Carbide tipped anvils, Flatness 0.0008mm
- Criterion:DIN863/1, DIN40050/IEC529

MEASUMAX Digital Universal Micrometer 10-129

Specifications



ORDER CODE	Q129
Range (mm / inch)	0 - 25mm / 0 - 1"
Accuracy (mm)	0.002
C (mm)	26
L (mm)	42