

**MEASUMAX 10-110**

**Metric Outside Micrometer**



**Measumax**



## MEASUMAX Metric Outside Micrometer 10-110

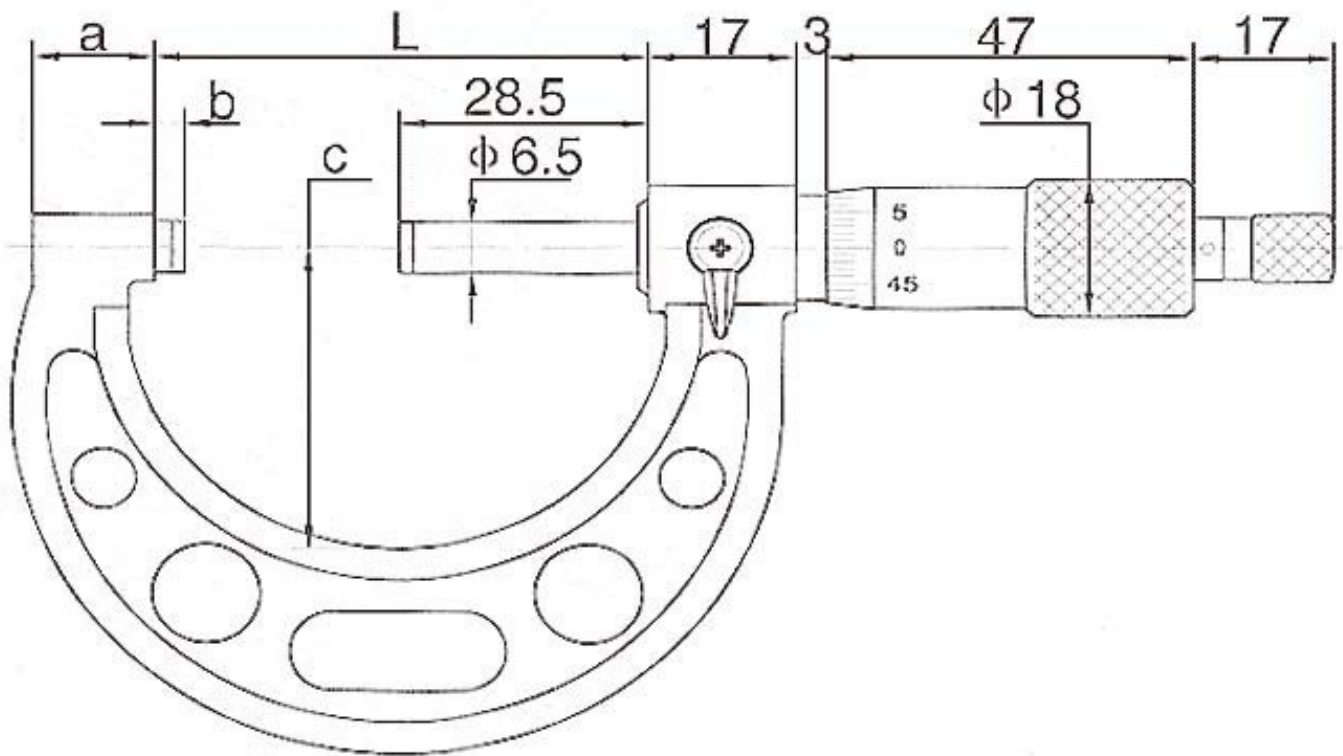
### Description

Measumax metric micrometers represent exceptional value. Special care has been taken in design and workmanship to ensure high precision and long life.  
Measumax metric micrometers meet industry standards for specification and accuracy

### Features

- Carbide measuring faces - Painted cast frame
- Micro-fine clear graduations on satin chrome finish
- Measuring face 6.5mm, Flatness 0.0008mm
- Ratchet stop for exact repetitive readings
- Includes deluxe foam lined plastic case and wrench
- Graduation 0.01mm
- Supplied with setting standards

### Specifications



|                          |          |
|--------------------------|----------|
| <b>ORDER CODE</b>        | Q110     |
| <b>Range (mm)</b>        | 75 - 100 |
| <b>Graduation (mm)</b>   | 0.01     |
| <b>Accuracy (mm)</b>     | 0.005    |
| <b>Setting Bar (No.)</b> | 1        |
| <b>a (mm)</b>            | 15       |
| <b>b (mm)</b>            | 3        |
| <b>c (mm)</b>            | 60       |
| <b>L (mm)</b>            | 107      |

**MEASUMAX Metric Outside Micrometer 10-110**

m061

~