

MEASUMAX 10-109

Imperial Outside Micrometer



MEASUMAX Imperial Outside Micrometer 10-109

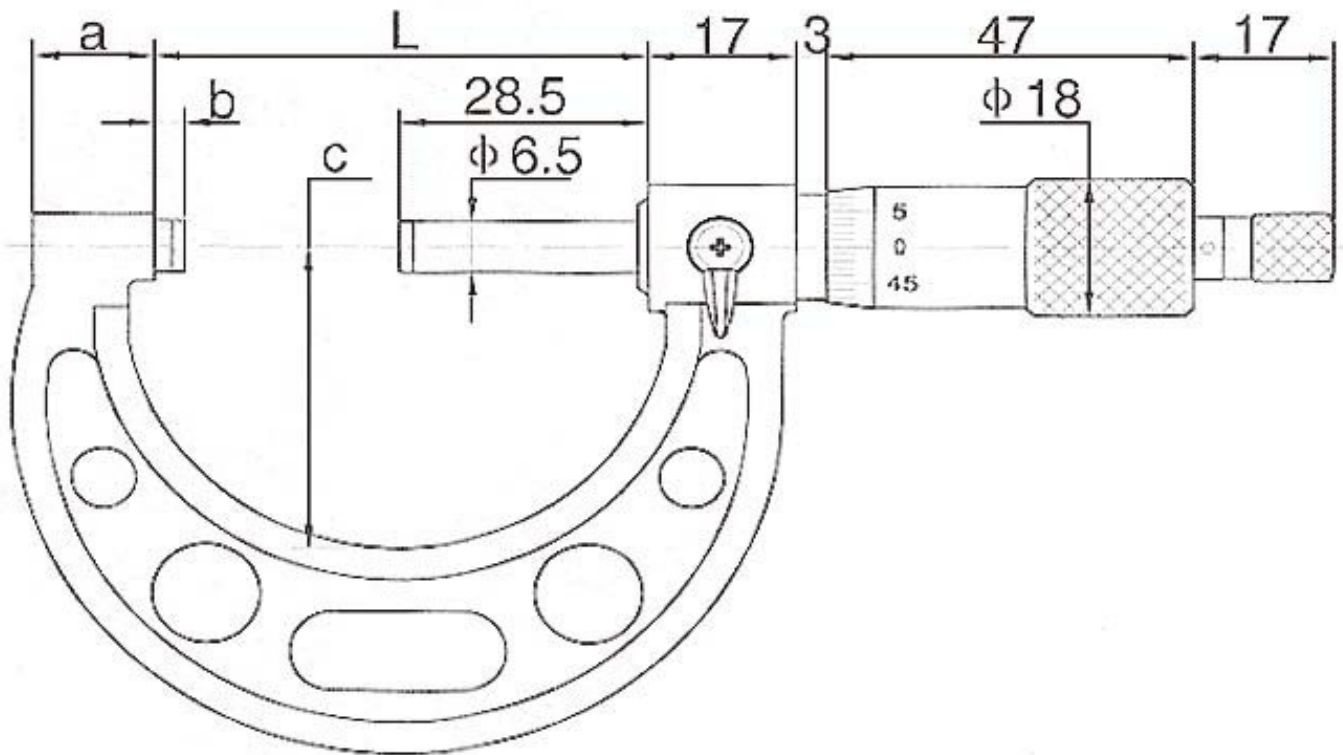
Description

Measumax imperial micrometers represent exceptional value with special care in design and workmanship to ensure high precision and long life. Measumax imperial micrometers meet industry standards for specification and accuracy.

Features

- Carbide measuring faces
- Measuring face 6.5mm, Flatness 0.0008mm
- Micro-fine clear graduations on satin chrome finish
- Ratchet stop for exact repetitive readings
- Includes deluxe foam lined plastic case and wrench
- Graduation 0.001"
- Painted cast frame
- Supplied with setting standards

Specifications



| | |
|--------------------------|--------|
| ORDER CODE | Q109 |
| Range (inch) | 3 - 4" |
| Graduation (inch) | 0.001" |
| a (mm) | 15 |
| b (mm) | 3 |
| c (mm) | 60 |
| L (mm) | 107 |