

**SUTTON TOOLS**



**14mm HSS End Mill - 8% Cobalt**



**SUTTON TOOLS 14mm HSS End Mill - 8% Cobalt**



4 Flute

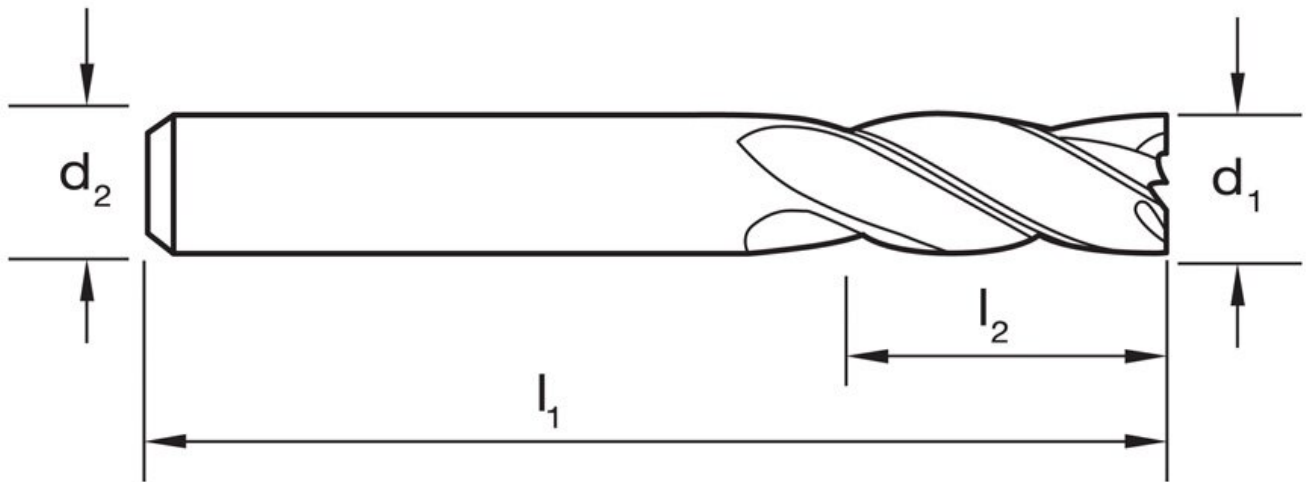
**Description**

For precision finish milling applications

**Features**

- 4 Flute Endmill R30 N
- Suitable for materials up to 1000 N/mm<sup>2</sup>
- TiCN for longer tool life

**Specifications**



|  |          |
|--|----------|
| <b>ORDER CODE</b>                      | M3173    |
| <b>Effective Cutting Diameter (d1)</b> | 14mm     |
| <b>Flute</b>                           | 4        |
| <b>Series</b>                          | ~        |
| <b>Type</b>                            | End Mill |

## SUTTON TOOLS 14mm HSS End Mill - 8% Cobalt

|                                       |             |
|---------------------------------------|-------------|
| <b>Shank Size (d2)</b>                | 16mm        |
| <b>1st Maximum Cutting Depth (l2)</b> | 35mm        |
| <b>Overall Length (l1)</b>            | 90mm        |
| <b>Cobalt (CoHSS)</b>                 | 8% Cobalt   |
| <b>Shank Type</b>                     | Plain Shank |