

VERTEX VP-600



Vertex Adjustable Angle Plate

600 x 300 x 205mm



VERTEX Vertex Adjustable Angle Plate VP-600

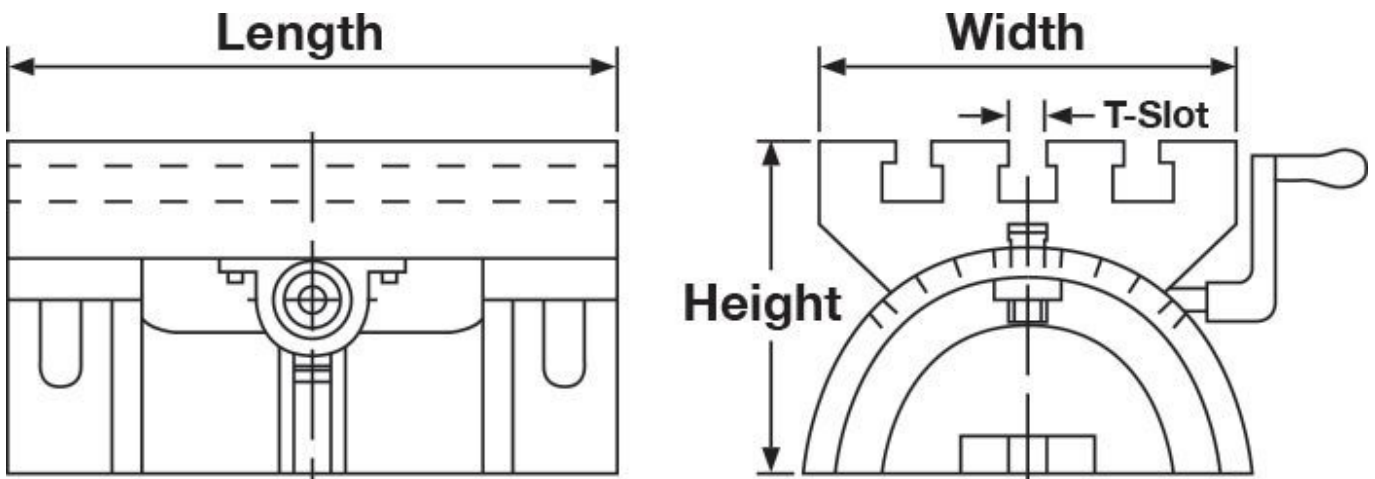
Description

NOTE: This item may not be held in all branches

Features

- Angle settings on any machine with no problem
- Adjustable 45° both sides
- Made of FC25 cast iron
- Low plate height and bigger working space

Specifications



ORDER CODE	M2015
MODEL	VP-600
Length (mm)	600
Width (mm)	300
Height (mm)	205
T-slot Size (mm)	16
Nett Weight (kg)	100