

VERTEX VP-380



Vertex Adjustable Angle Plate

380 x 255 x 181mm

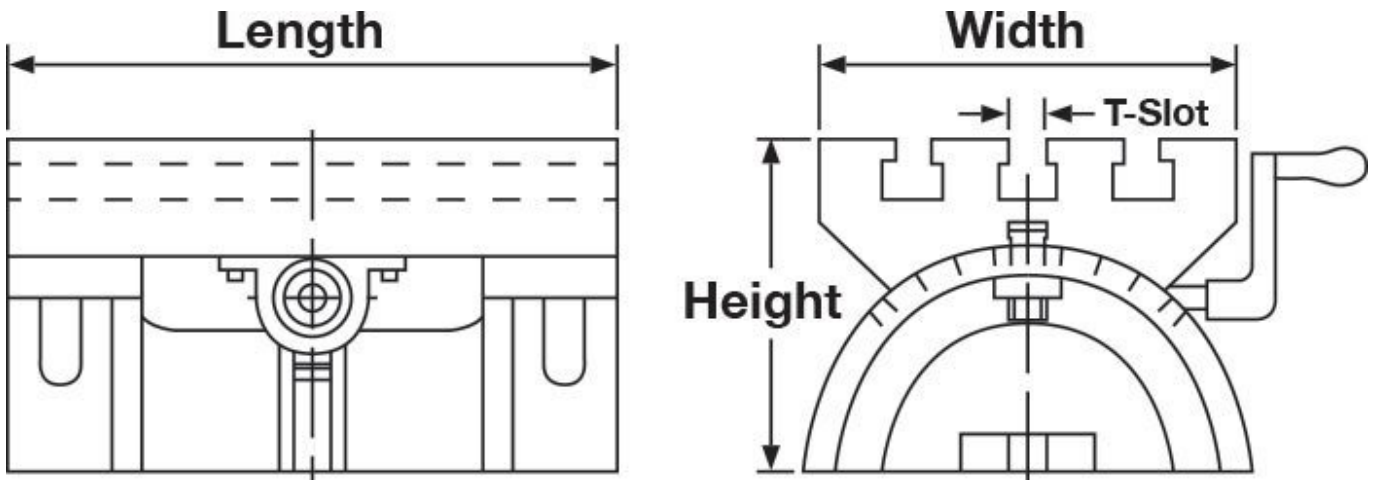


VERTEX Vertex Adjustable Angle Plate VP-380

Features

- Angle settings on any machine with no problem
- Adjustable 45° both sides
- Made of FC25 cast iron
- Low plate height and bigger working space

Specifications



ORDER CODE	M201
MODEL	VP-380
Length (mm)	380
Width (mm)	255
Height (mm)	181
T-slot Size (mm)	16
Nett Weight (kg)	69