

HAFCO RCS-290



Length Stop To Suit Roller Conveyor

3000mm



HAFCO Length Stop To Suit Roller Conveyor RCS-290



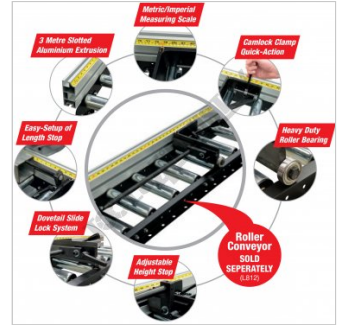
Shown Demonstrated with Coldsaw



Shown with Optional Roller Conveyor and Stands



Front Full View



Overview



Shown with Material



Aluminium Extrusion with T Slots



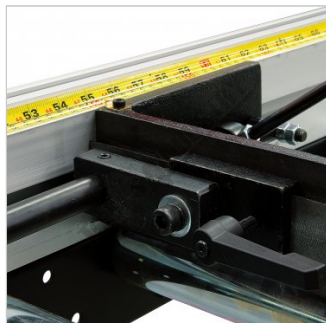
Length Indicator Arrow



Camlock Quick-Action Clamp



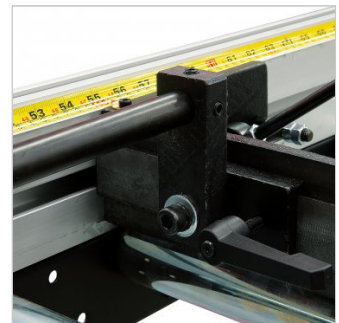
Heavy Duty Roller Bearing



Length Stop Swivel Adjustment 1



Length Stop Swivel Adjustment 2



Length Stop Swivel Adjustment 3



Dovetail Slide & Lock System



Dovetail Slide & Lock System



Front Low View Close Up



Front View Close Up

HAFCO Length Stop To Suit Roller Conveyor RCS-290



Rear Top View Close Up



Rear View Close Up



Rear Low View Close Up



Rear Full View



Rear View



Full View Shown Setup Up
on Roller Conveyor 2



Full View Shown Setup Up
on Roller Conveyor 3

Description

PLEASE NOTE: Roller Conveyor & Stand Not Included

Features

- Suits: 290mm roller conveyor system (L812)
- 3000mm length of Aluminium extrusion with T-Slots for easy mounting
- Designed specifically to suit Hafco (L812) 290mm x 3 Metre roller conveyor
- Length stop has quick-action clamp coupled with a heavy duty roller bearing
- Includes metric/imperial measuring tape
- Easily fitted to conveyor by drilling 4 holes
- Includes mounting hardware

Specifications

ORDER CODE	L800
MODEL	RCS-290
Length Stop Length (mm)	3000
Suits Conveyor Width (mm)	290