

TOOLMASTER S20S-CTFPR-11

Right Hand Boring Bar

Ø20mm



TOOLMASTER Right Hand Boring Bar S20S-CTFPR-11



Side View

Description

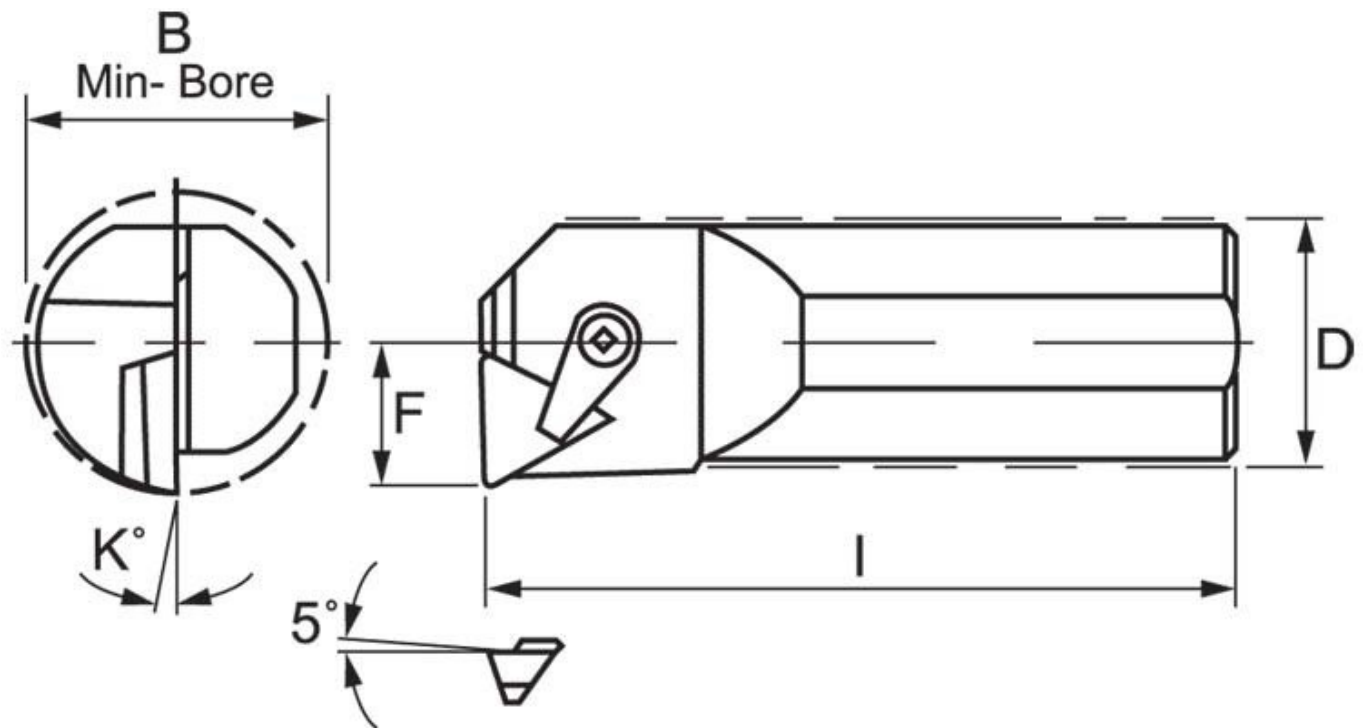
NOTE: Inserts NOT included with tool holders.

Use insert TPMPR 110304 (L061)

Features

- Positive rake turning tool holder with 90° approach angle
- Suitable for heavy duty cutting

Specifications



ORDER CODE

TOOLMASTER Right Hand Boring Bar S20S-CTFPR-11

TOOLMASTER Right Hand Boring Bar S20S-CTFPR-11

Part Number - Style	~
Size (mm)	20
Hand Type	RIGHT
B = Minimum Bore (mm)	26
D (mm)	20
F (mm)	13
L (mm)	250
K (deg)	3°
Minimum Bore (mm)	23