

TOOLMASTER S12S-CTFPR-11

Right Hand Boring Bar

Ø12mm



TOOLMASTER Right Hand Boring Bar S12S-CTFPR-11



Side View

Description

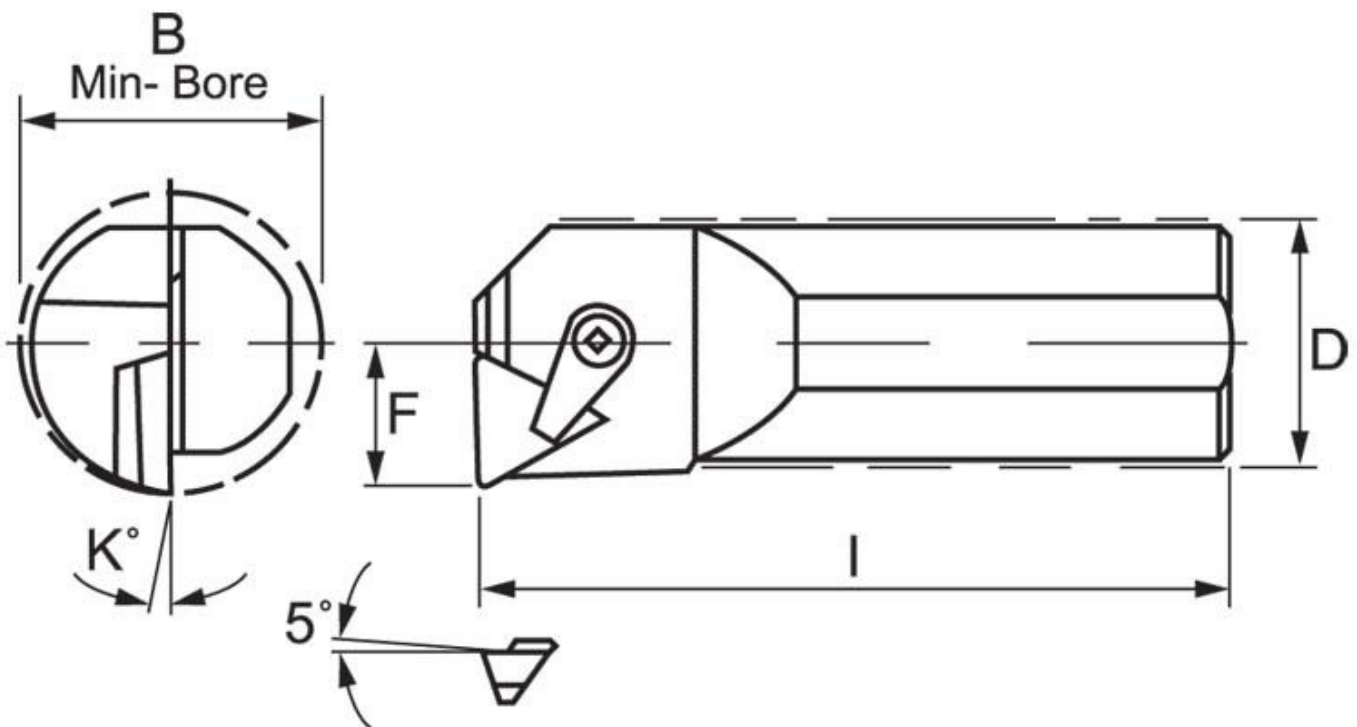
NOTE: Inserts NOT included with tool holders.

Use insert TPMPR 110304 (L061)

Features

- Positive rake turning tool holder with 90° approach angle
- Suitable for heavy duty cutting

Specifications



TOOLMASTER Right Hand Boring Bar S12S-CTFPR-11

ORDER CODE

TOOLMASTER Right Hand Boring Bar S12S-CTFPR-11

	L420
Part Number - Style	~
Size (mm)	12
Hand Type	RIGHT
B = Minimum Bore (mm)	18
D (mm)	12
F (mm)	8
L (mm)	150
K (deg)	6°
Minimum Bore (mm)	14.5