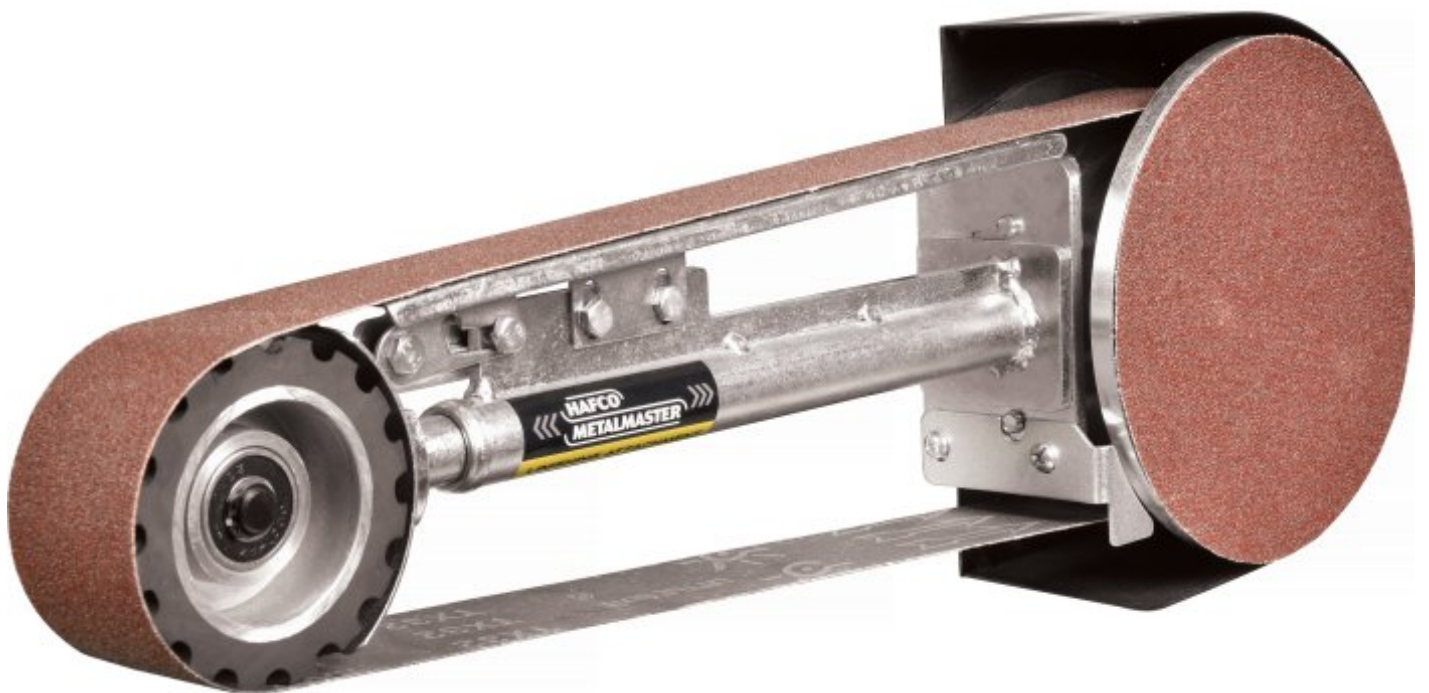


**HAFCO-METALMASTER HLA-1220**

**Belt & Disc Linishing Attachment**

**Suits most 200mm Bench Grinders**



## HAFCO-METALMASTER Belt & Disc Linishing Attachment HLA-1220



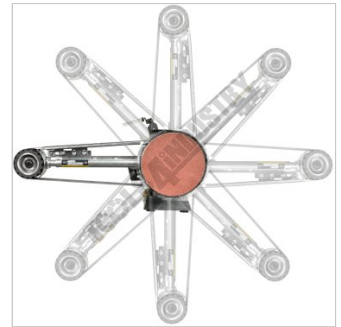
Fitted To Optional Bench Grinder G142



Adjustable Belt Tensioner



Large Work Surface-Quick Action Belt Change



360 Degree Head Rotation

### Description

This linishing attachment is perfect for a variety of finishing tasks, including tool sharpening, edge sanding, weld smoothing, deburring, and polishing. Suitable for use on materials such as wood, plastics, metals, and ceramics, this attachment is designed to fit most 200mm bench grinders with screw-mounted guards.

### Features

- 50 x 1220mm linishing attachment with Ø178mm sanding disc
- Suits most 200mm Bench grinders (min 3/4 HP)
- Quick & easy adjustable belt tracking system
- Toolless belt change system, change belts in a matter of seconds
- Grind, sand, shape, polish or refinish nearly any material
- Used on many materials such as wood, plastics, metals and ceramics

### Includes

- 50 x 1220mm linishing belt
- Ø178mm sanding disc

### Specifications

<b>ORDER CODE</b>	L0921
<b>MODEL</b>	~
<b>Type</b>	~
<b>Table Size (mm)</b>	~
<b>Belt Size (mm)</b>	50 x 1220
<b>Disc Diameter (mm / Inch)</b>	178
<b>Suits</b>	200mm Grinders