

**KYOCERA VCMT160404HQ**

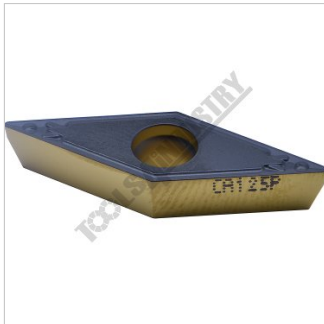
**KYOCERA**  
JAPANESE CARBIDE

**35° Rhombic Positive Turning Insert**

**Grade CA125P - General Purpose Steel**



## KYOCERA 35° Rhombic Positive Turning Insert VCMT160404HQ



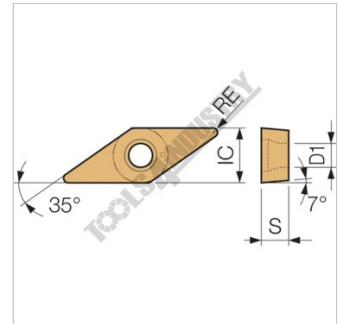
Side View



Top View



Bottom View



Diagram

### Description

CA125P Grade CVD Coated Carbide for Steel

Suitable for continuous to heavy interrupted machining, these inserts are designed for general-purpose applications.

HQ Chipbreaker

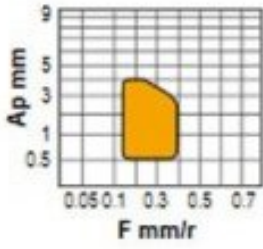
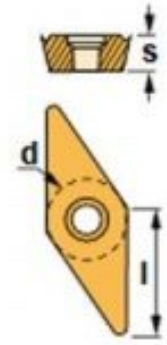
General purpose chipbreaker for medium machining.

### Features

- Japanese Made
- CVD Coated Carbide with Thin Ultra-fine TiCN Coating
- 10 Inserts Per Pack

### Specifications

**KYOCERA 35° Rhombic Positive Turning Insert VCMT160404HQ**



**l**  
**16.5 mm**

**s**  
**4.76 mm**

**d**  
**9.52 mm**

**r**  
**0.4 mm**

**KYOCERA 35° Rhombic Positive Turning Insert VCMT160404HQ**

**ORDER CODE**

**KYOCERA 35° Rhombic Positive Turning Insert VCMT160404HQ**

L0521

|                                  |                       |
|----------------------------------|-----------------------|
| <b>MODEL</b>                     | VCMT160404HQ          |
| <b>Grade</b>                     | CA125P                |
| <b>Application</b>               | General Purpose Steel |
| <b>Pieces in Set (No.)</b>       | 10                    |
| <b>I.C. (mm)</b>                 | 9.53                  |
| <b>Thickness (S) (mm)</b>        | 4.76                  |
| <b>Hole Diameter Ø (D1) (mm)</b> | 4.4                   |
| <b>Corner Radius (RE) (mm)</b>   | 0.4                   |
| <b>Relief Angle (Deg)</b>        | 7°                    |
| <b>d (mm)</b>                    | ~                     |
| <b>Insert shape</b>              | ~                     |
| <b>Use Classification</b>        | ~                     |
| <b>Clearance Angle</b>           | ~                     |