

TOOLMASTER S32T-MTUN-16A

Right Hand Boring Bar

Ø32mm



TOOLMASTER Right Hand Boring Bar S32T-MTUN-16A



Side View

Description

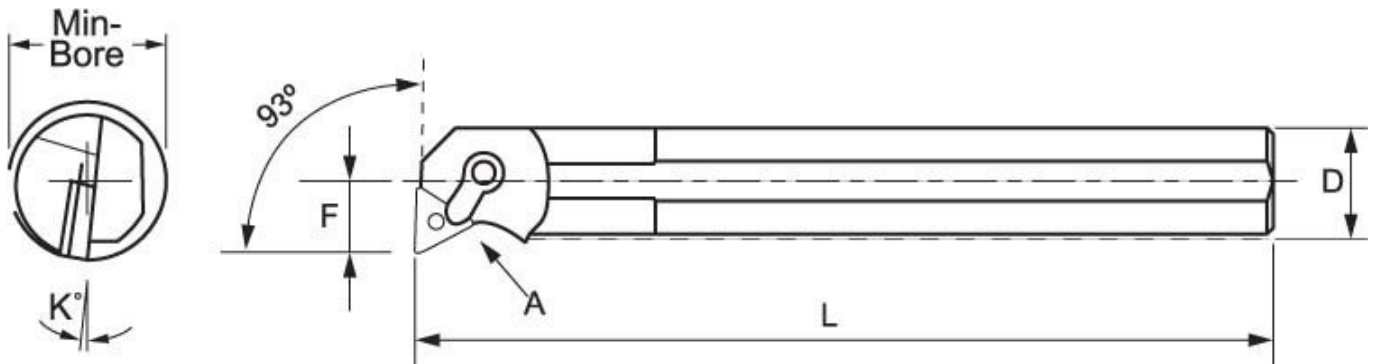
NOTE: Inserts NOT included with tool holders.

Use insert TNMG 160408 16mm (L064)

Features

- Negative rake boring bar with 93° approach angle
- Suitable for rapid metal removal

Specifications



ORDER CODE	L025
Part Number - Style	~
Size (mm)	32
Hand Type	RIGHT
B = Minimum Bore (mm)	40
D (mm)	32
F (mm)	22
L (mm)	300
K (deg)	10°
Minimum Bore (mm)	38