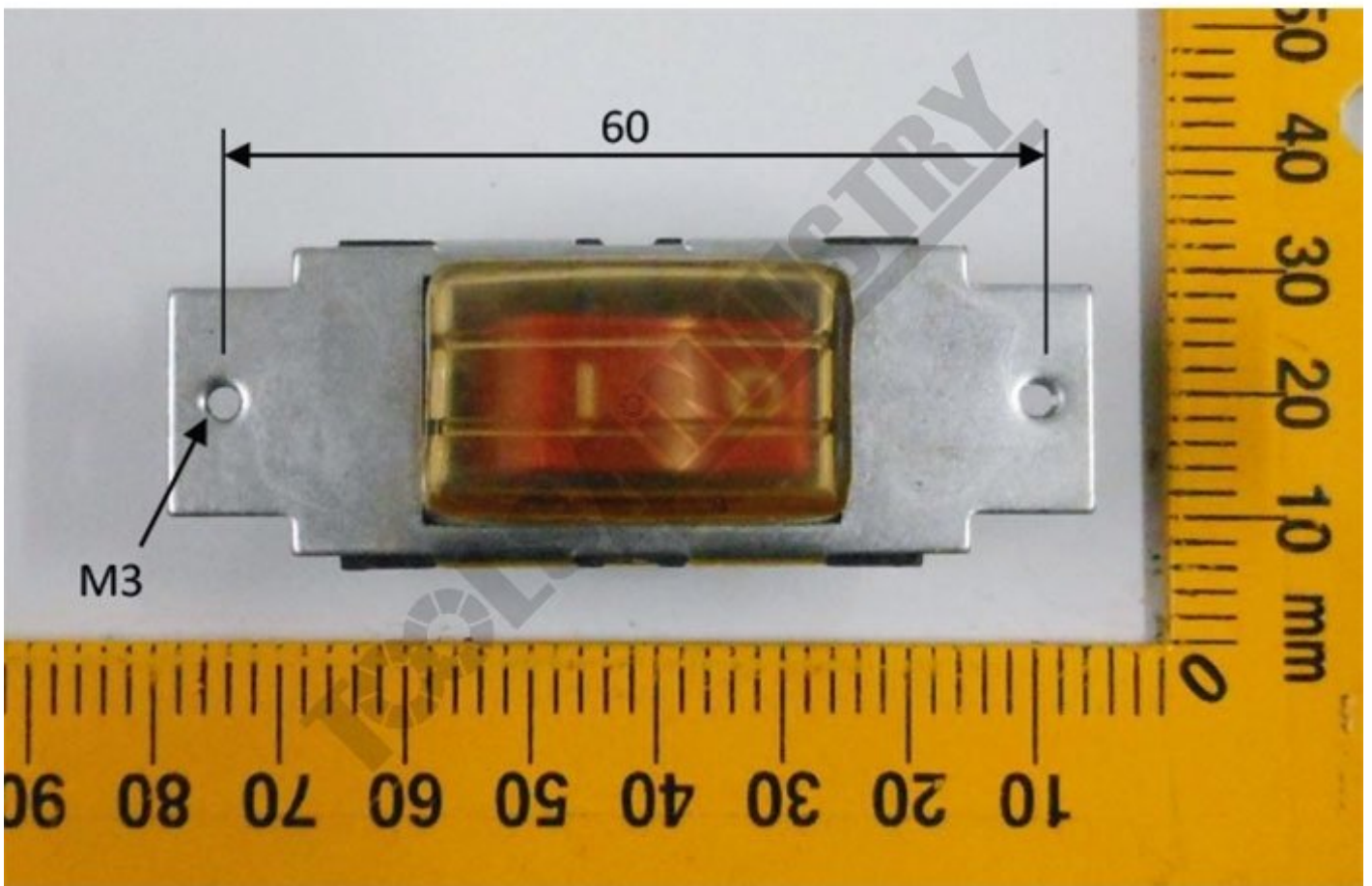
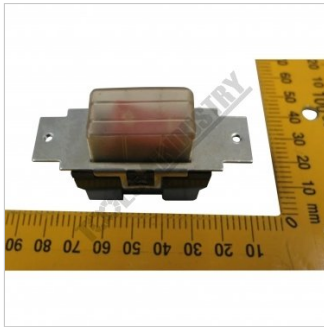


#

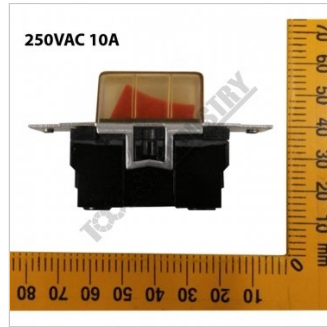
**SWITCH ON/OFF A&A**



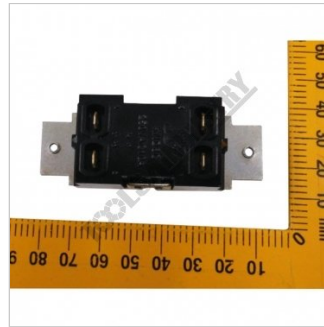
## SWITCH ON/OFF A&A #



GC001 SWITCH A ASHBY  
ROCKER



GC001 SWITCH SUIT A  
ASHBY 250VAC 10A



GC001 SWITCH SUIT A  
ASHBY 250VAC 10A

## Specifications

ORDER CODE

GC001