

**HAFCO**



**Drill Chuck Guard**

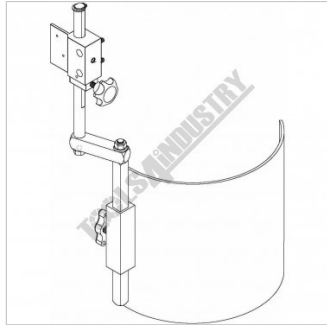
**190 x 200mm Guard Size**



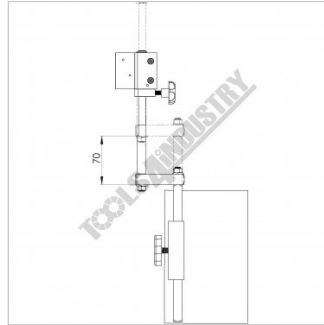
**HAFCO Drill Chuck Guard**



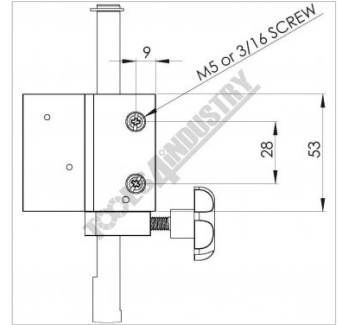
Show Mounted to Drilling Machine



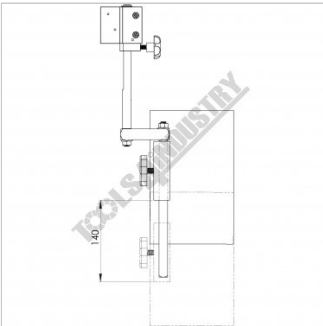
Complete Guard



Up Moving Diagram



Fixed Position Diagram



Down Moving Diagram

**Description**

Universal chuck guard suitable for drilling or milling machines. Easy to fit and is adjustable to suit any size machine.

**Specifications**

<b>ORDER CODE</b>	D200
<b>Guard Size (mm)</b>	190 x 200