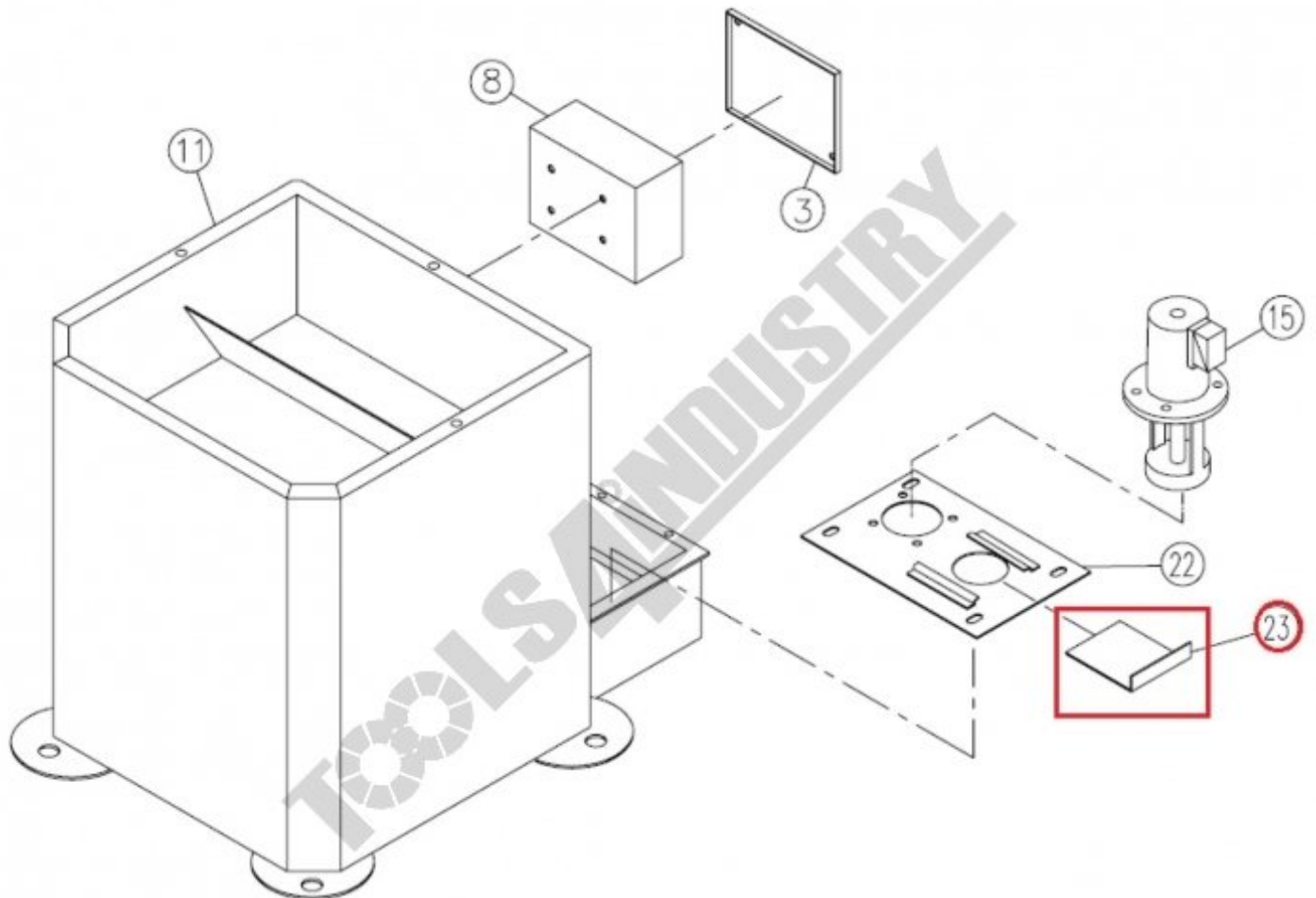


#23

COOLANT LID (H0H010)



023	H0H010	遮蓋 (噴漆)	1	大立座附件
-----	--------	---------	---	-------

COOLANT LID (H0H010) #23

Specifications

ORDER CODE	CS0023
MODEL	~
Type	~
Tank Capacity (Litre)	~
Discharge at 1 metre Lift (L/min)	~
Length (L) (mm)	~
Submerge Depth (L1) (mm)	~
4 Mount Holes (PCD) (mm)	~
Threaded Outlet (BSPT)	~
A (mm)	~
B (mm)	~
C (mm)	~
D (mm)	~
E (mm)	~
F (mm)	~
G (mm)	~
H	~
I (mm)	~
J (mm)	~
K (mm)	~
Motor Power (hp)	~
Voltage / Amperage (V / amp)	~
Dimensions (L x W x H) (mm)	~
Nett Weight (kg)	~