

**HAFCO**



**CNC Lathe - Tee Nut Sets Type B**

**Suit Size 10**



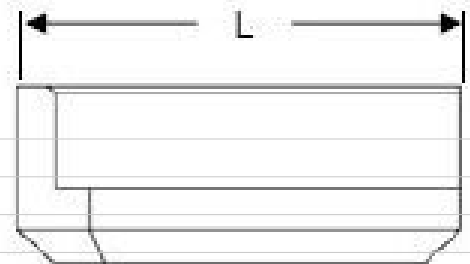
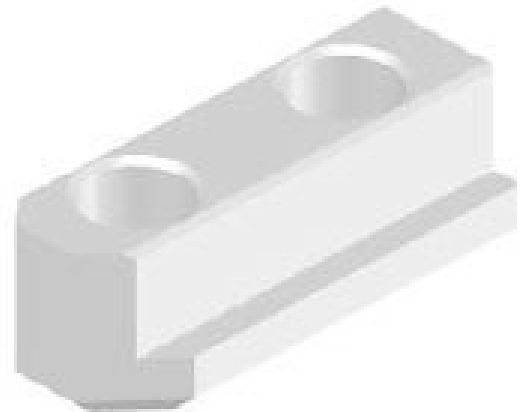
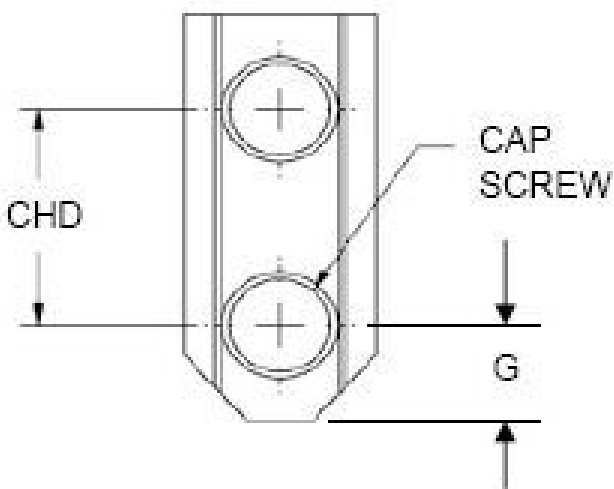
## HAFCO CNC Lathe - Tee Nut Sets Type B

### Description

Suits Kitagawa Chucks

### Specifications

#### CHUCK JAWS T-NUTS HARDENED AND GROUND



ORDER CODE	C8025
Type	B-200
Suit Size (mm)	12
H (mm)	27.75
h1 (mm)	16.25
h2 (mm)	11.5
B (mm)	29.5
L (mm)	55.5
G (mm)	12
CHD (mm)	30
S (mm)	21
Cap Screw (mm)	M16