

HAFCO



CNC Lathe - Tee Nut Sets B-200

Suit Size 10



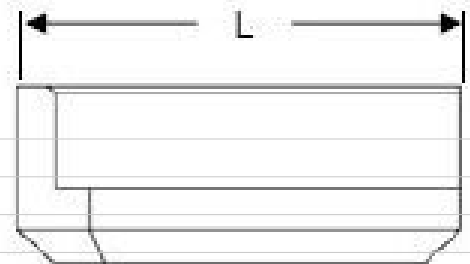
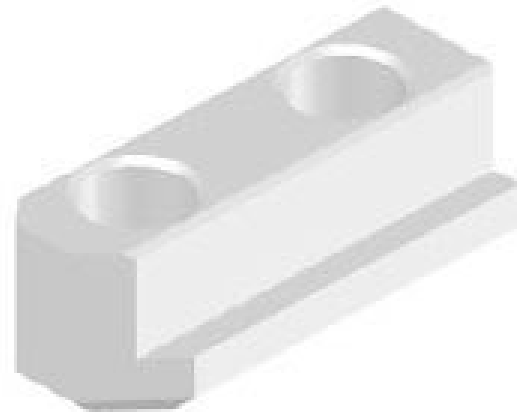
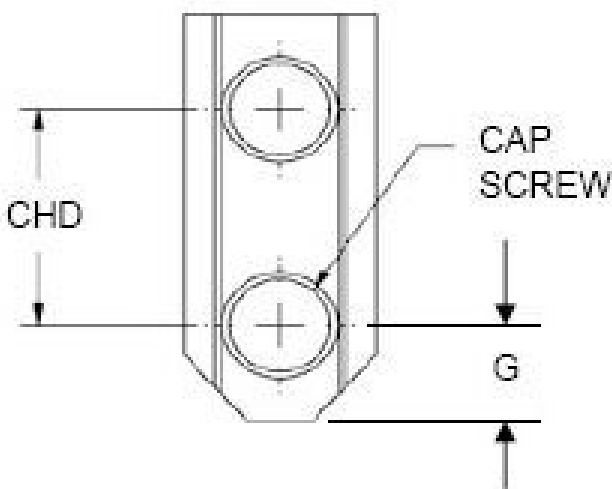
HAFCO CNC Lathe - Tee Nut Sets B-200

Description

Suits Kitagawa Chucks

Specifications

**CHUCK JAWS T-NUTS
HARDENED AND GROUND**



ORDER CODE	C8006
Type	B-200
Suit Size (mm)	10
H (mm)	21.5
h1 (mm)	13
h2 (mm)	8.5
B (mm)	22.5
L (mm)	51
G (mm)	11
CHD (mm)	30
S (mm)	16
Cap Screw (mm)	M12