

HAFCO



CNC Lathe - Tee Nuts Sets Type B

Suit Size 8



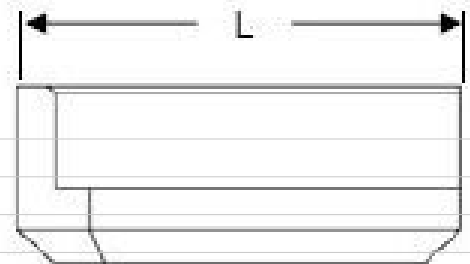
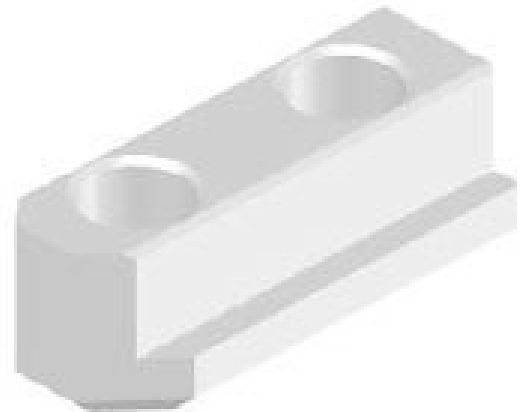
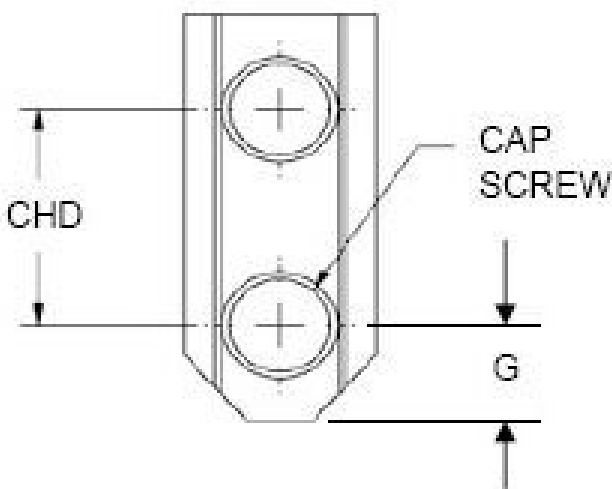
HAFCO CNC Lathe - Tee Nuts Sets Type B

Description

Suits Kitagawa Chucks

Specifications

**CHUCK JAWS T-NUTS
 HARDENED AND GROUND**



ORDER CODE	C7985
Type	Type B
Suit Size (mm)	8
H (mm)	25.5
h1 (mm)	16
h2 (mm)	9.5
B (mm)	20.5
L (mm)	48
G (mm)	11
CHD (mm)	25
S (mm)	14
Cap Screw (mm)	M12