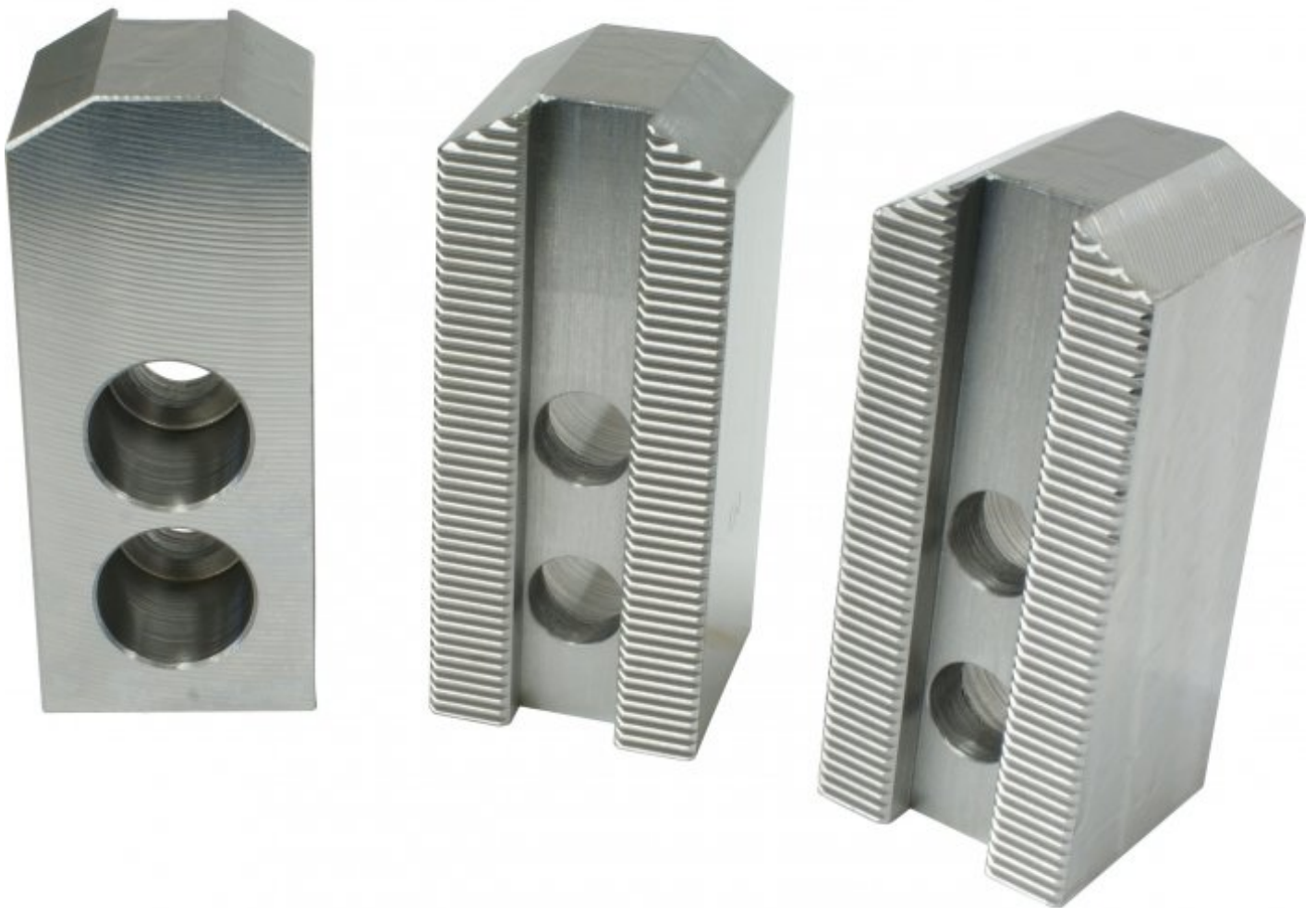


HAFCO



Soft Jaws to suit CNC lathes - Standard

Ø6"



HAFCO Soft Jaws to suit CNC lathes - Standard

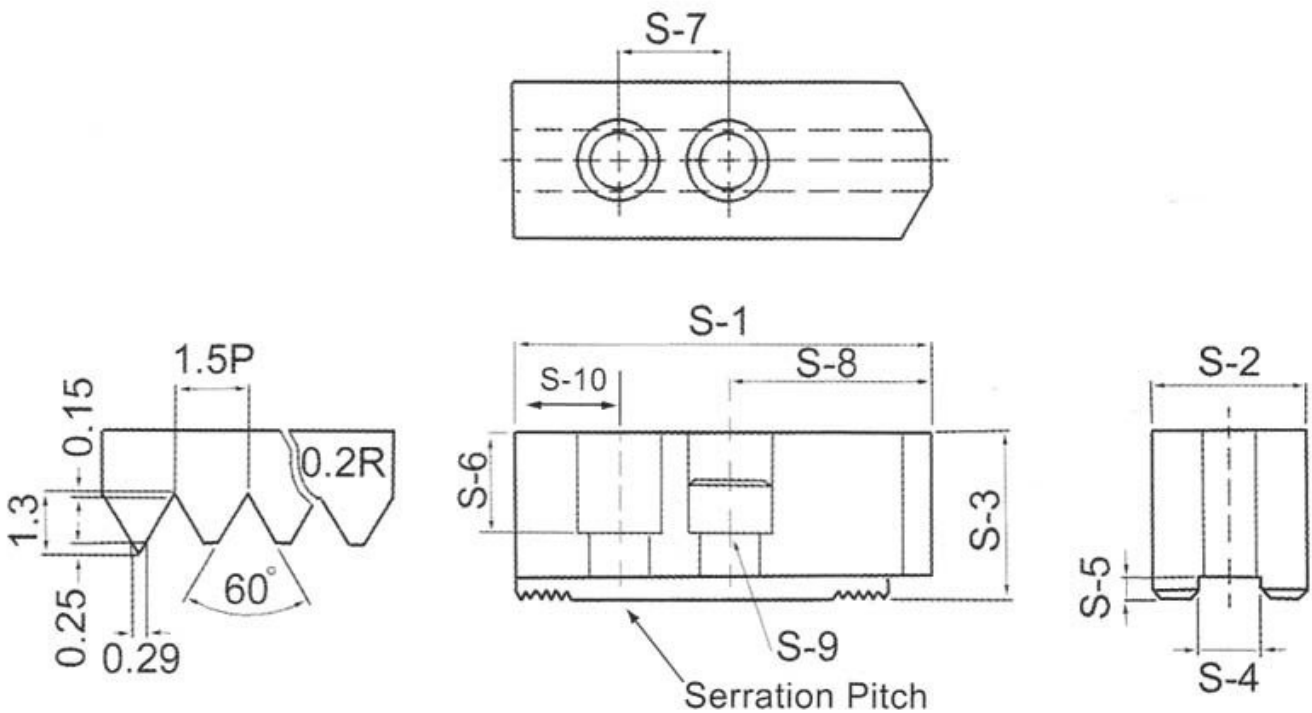
Description

Soft Jaws to suit CNC lathes

Features

- Maintains a high level of accuracy
- Serration pitch 1.5 x 60°

Specifications



ORDER CODE	C796
Size (inch)	6"
Type	Standard
S-1 (mm)	73
S-2 (mm)	31
S-3 (mm)	30
S-4 (mm)	12
S-5 (mm)	5
S-6 (mm)	18
S-7 (mm)	20
S-8 (mm)	38

HAFCO Soft Jaws to suit CNC lathes - Standard

S-9 (mm)	M10
S-10 (mm)	15
Nett Weight (kg)	1.5