

FUERDA K12-250



4 Jaw Self Centring Lathe Chuck

Ø250mm



FUERDA 4 Jaw Self Centring Lathe Chuck K12-250

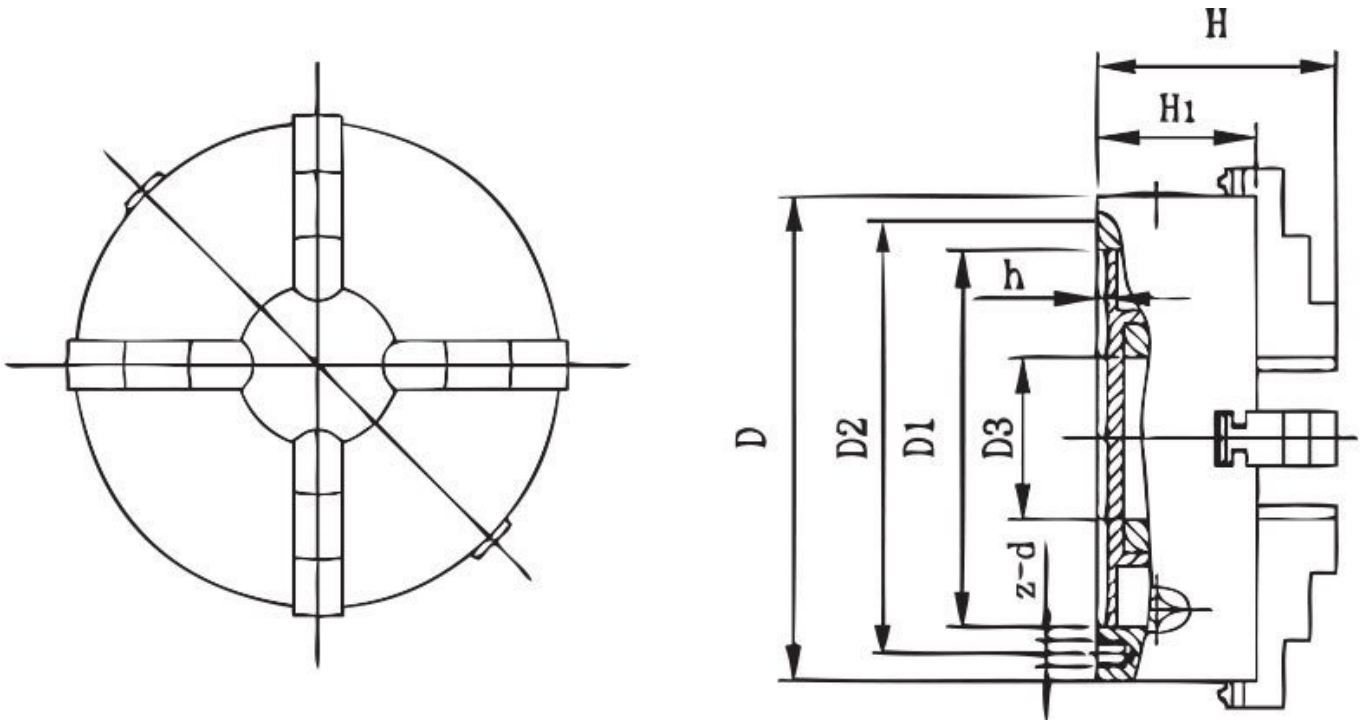
Description

250mm 4-JAW SELF-CENTRING LATHE CHUCK
 Manufactured from cast iron.
 Available only in back mount.

Includes

- 1 x set of outside hard jaws
- 1 x set of inside hard jaws
- 1 x key
- 1 x set of mounting screws

Specifications



ORDER CODE	C725
Size (mm)	Ø250
Outside Jaw (mm)	6 - 110
Inside Jaw (mm)	90 - 250
Speed (rpm)	~
D1 (mm)	206
D2 (mm)	226
D3 (bore) (mm)	80
H (mm)	120

FUERDA 4 Jaw Self Centring Lathe Chuck K12-250

H1 (mm)	80
h (mm)	5
z-d (mm)	3-M12
Nett Weight (kg)	27