

**GATOR PS3-160/D14**

***gator chucks***

**3 Jaw Self Centring Lathe Chuck**

**Ø160mm**



**GATOR 3 Jaw Self Centring Lathe Chuck PS3-160/DI4**

Front View



Camlock Mount



Parts

**Description**

PS Series semi steel body lathe chucks are supplied with one piece standard and reverse jaws.

Gator is a world class state of the art producer of manual lathe chucks with over 30 years of manufacturing experience and production excellence. Gator chucks are manufacturing to DIN 55029 standard and built to last for precision machining applications. The state of the art, ISO 9001-2000 manufacturing facility is quality focused producing chucks for the worldwide market.

**Features**

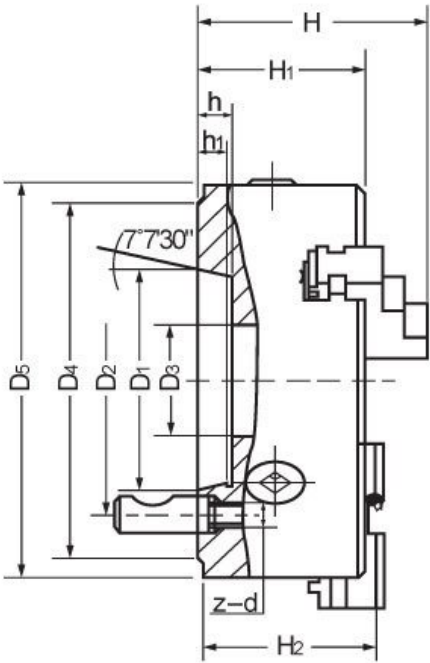
- Comprehensive quality assurance and accuracy testing ensure standards remain high
- Each chuck is supplied with a set of inside and outside jaws and a chuck key
- All bearing surfaces are precisely machined
- Scroll plate is drop forged from fine alloy steel and finished with case hardening
- Jaw teeth, guideways & pinions are hardened & ground

**Includes**

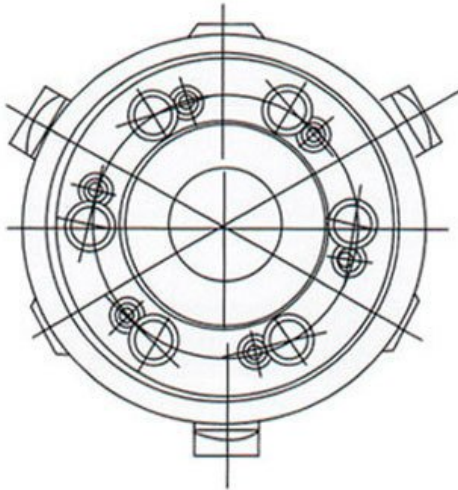
- Outside jaws
- Inside jaws
- Chuck key

**Specifications**

**GATOR 3 Jaw Self Centring Lathe Chuck PS3-160/DI4**



**CAMLOCK**



**GATOR 3 Jaw Self Centring Lathe Chuck PS3-160/DI4**

**ORDER CODE**

**GATOR 3 Jaw Self Centring Lathe Chuck PS3-160/DI4**

C7064

<b>Chuck Size (mm)</b>	Ø160
<b>Camlock</b>	D1-4
<b>Outside Jaw (mm)</b>	3 - 64
<b>Inside Jaw (mm)</b>	50 - 160
<b>Speed (rpm)</b>	3000
<b>D1 (mm)</b>	63.52
<b>D2 (mm)</b>	82.6
<b>D3 (mm)</b>	42
<b>H (mm)</b>	105.5
<b>H1 (mm)</b>	81.5
<b>h (mm)</b>	13
<b>Nett Weight (kg)</b>	10