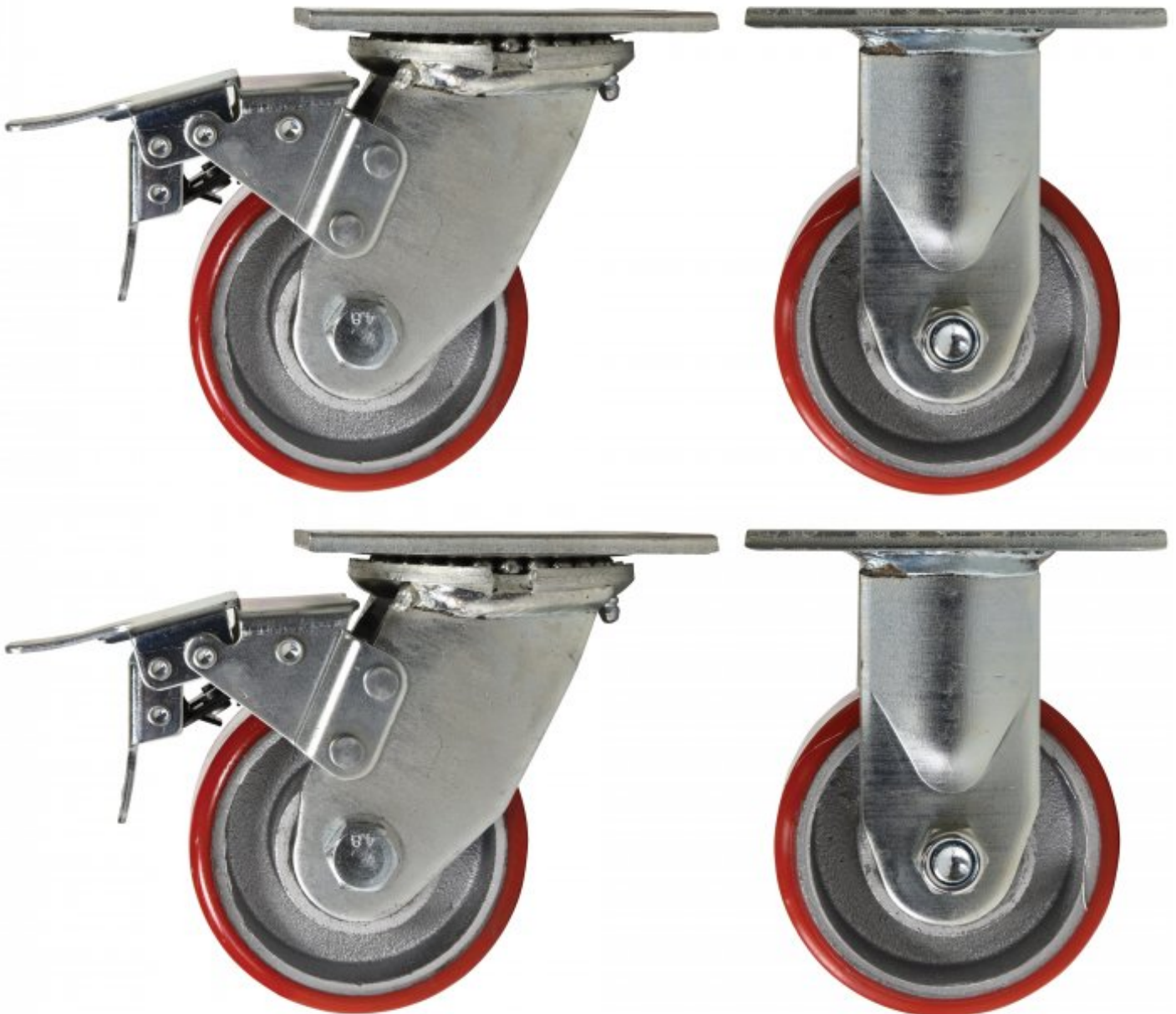


HAFCO CW-102



Industrial Caster Wheel Set

Ø100mm Wheels



HAFCO Industrial Caster Wheel Set CW-102



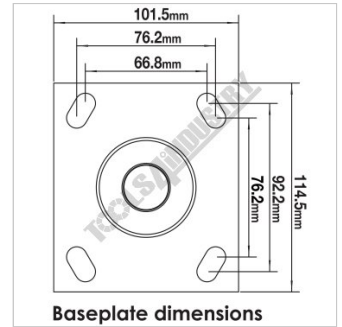
Ball Bearing Base With Greasing Nipple



Swivel Wheel With Brake



Fixed Wheel



Baseplate Dimensions

Description

Industrial quality Ø100mm caster wheels, Tyre is made from 7mm thick polyurethane with an load capacity of up to 400kg per caster.

Features

- Ø100mm x 50mm wide polyurethane wheel
- 2 x fixed wheels
- 2 x swivel wheels with brake
- 400kg each wheel capacity
- Brake also locks wheel from swivelling
- Swivel base incorporates ball bearings
- Ball bearing sealed race on main shaft
- 145mm overall height from base of wheel to top of plate
- Mounting plate 114.5 x 101.5mm with 4 slotted holes

Specifications

ORDER CODE	C408
MODEL	CW-102
Quantity of Wheels in Pack (No.)	4
Wheel Type	2 Fixed, 2 Swivel/Brake
Wheel Diameter (mm)	Ø100
Wheel Width (mm)	50
Total Height to Top of Plate (mm)	145
Load Capacity per Wheel (kg)	400
Load Capacity per Set (kg)	
Nett Weight (kg)	11