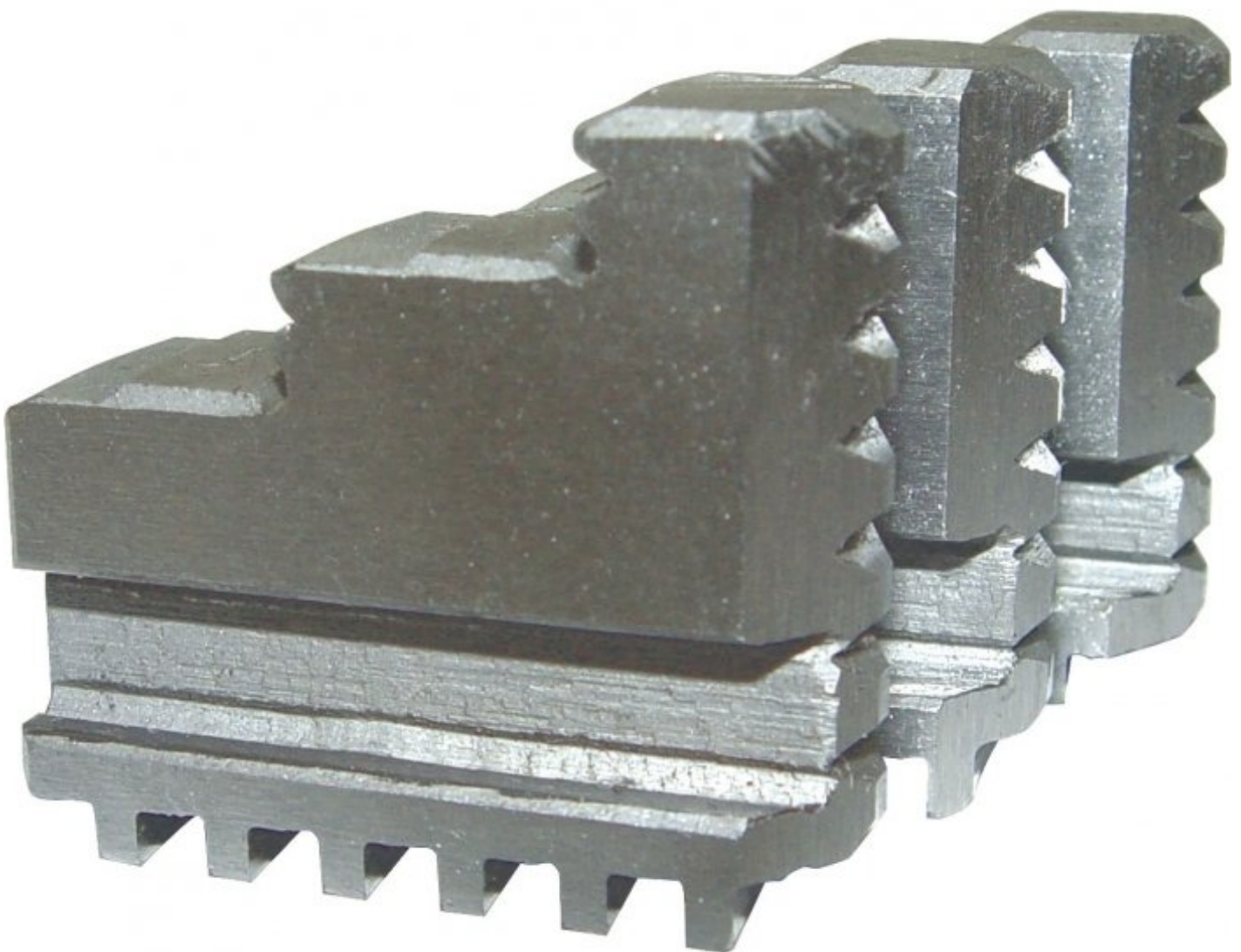


FUERDA



Standard Hard Jaw Set

Suits Ø315mm 3 Jaw Lathe Chuck

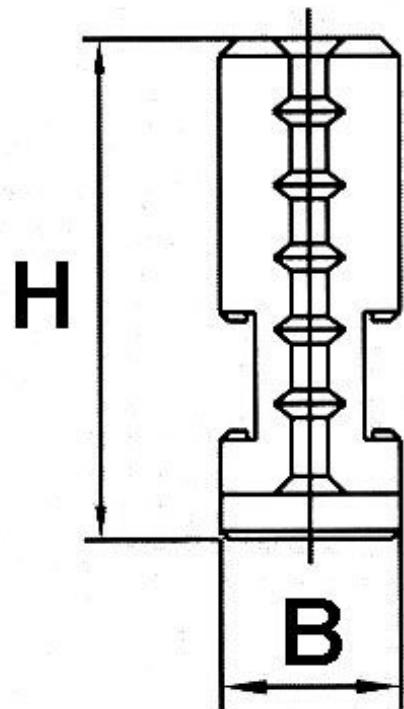
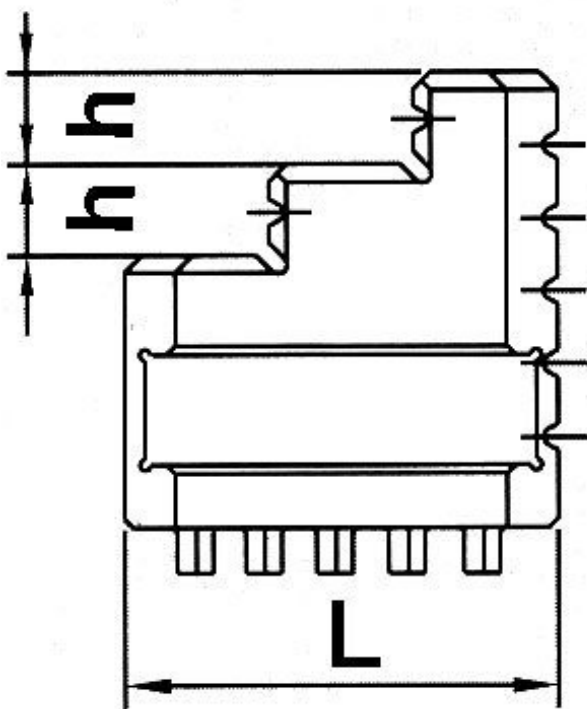
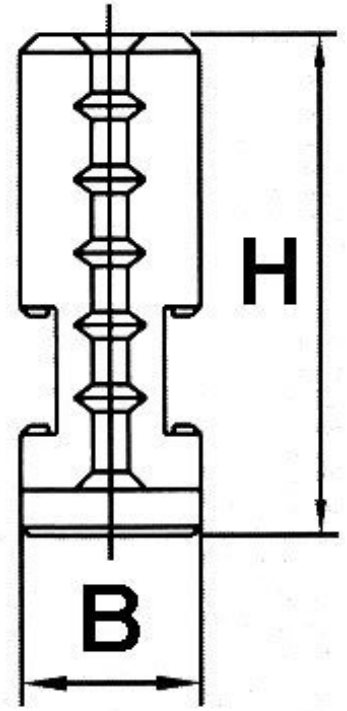
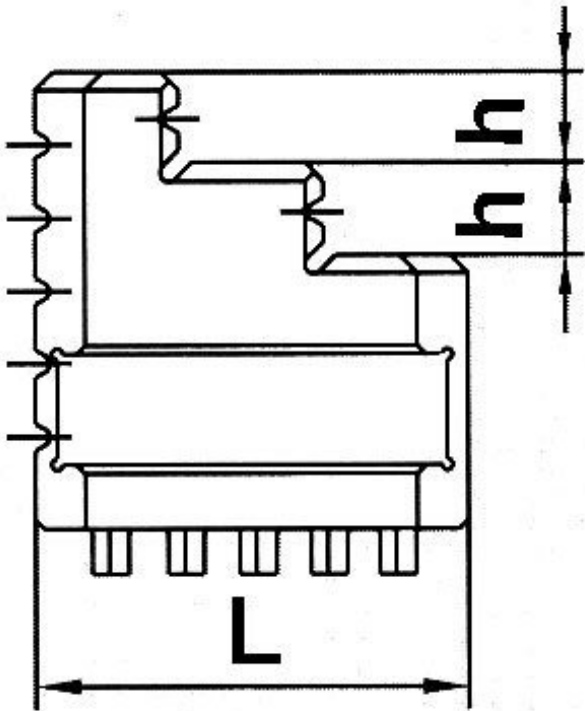


FUERDA Standard Hard Jaw Set

Description

1 set of hardened steel replacement jaws to suit Fuerda K11 chucks

Specifications



FUERDA Standard Hard Jaw Set

ORDER CODE

FUERDA Standard Hard Jaw Set

C2880

Suits 3 Jaw Chuck Size (mm)	Ø315
Jaw Type	Standard
L (mm)	130
B (mm)	36
H (mm)	91
h (mm)	18