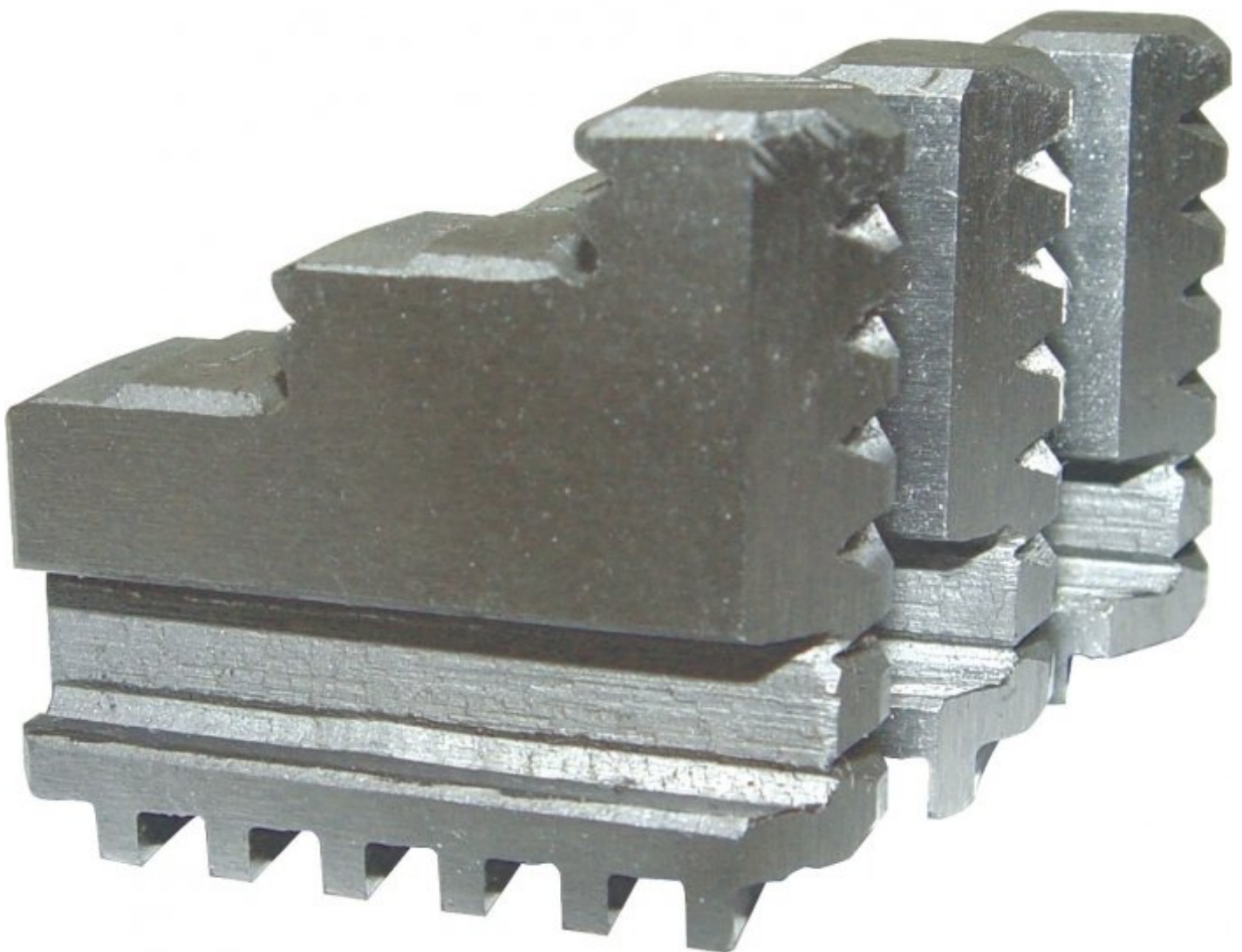


**FUERDA**



**Standard Hard Jaw Set**

**Suits Ø200mm 3 Jaw Lathe Chuck**

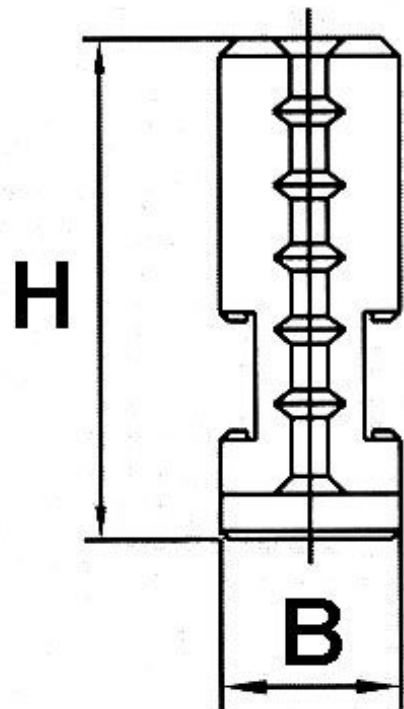
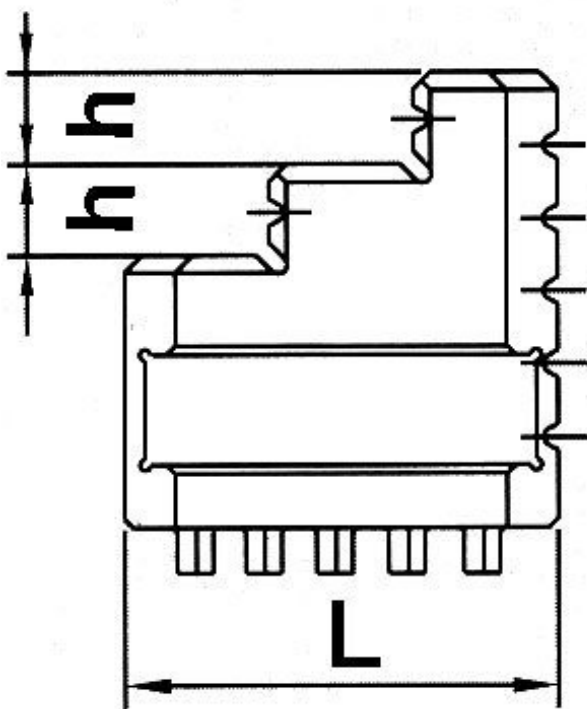
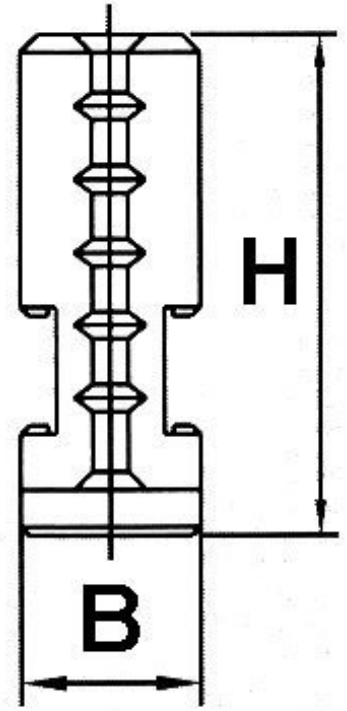
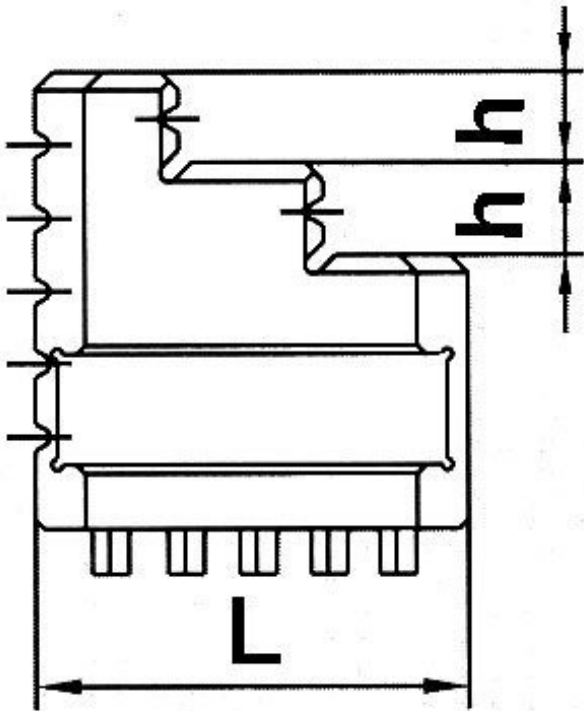


**FUERDA Standard Hard Jaw Set**

**Description**

1 set of hardened steel replacement jaws to suit Fuerda K11 chucks

**Specifications**



**FUERDA Standard Hard Jaw Set**

**ORDER CODE**

## FUERDA Standard Hard Jaw Set

C2876

<b>Suits 3 Jaw Chuck Size (mm)</b>	Ø200
<b>Jaw Type</b>	Standard
<b>L (mm)</b>	85
<b>B (mm)</b>	22
<b>H (mm)</b>	61
<b>h (mm)</b>	12