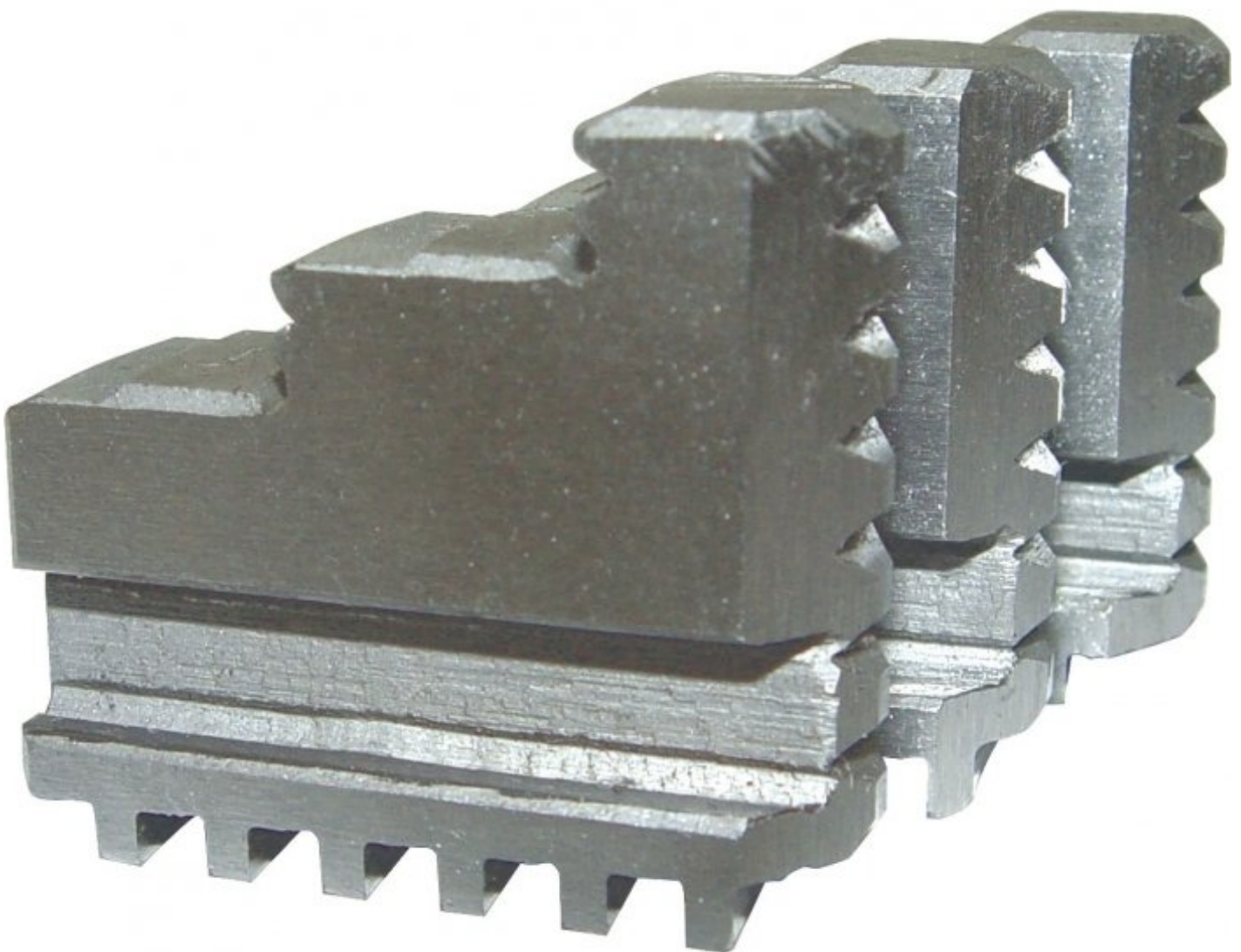


FUERDA



Standard Hard Jaw Set

Suits Ø160mm 3 Jaw Lathe Chuck

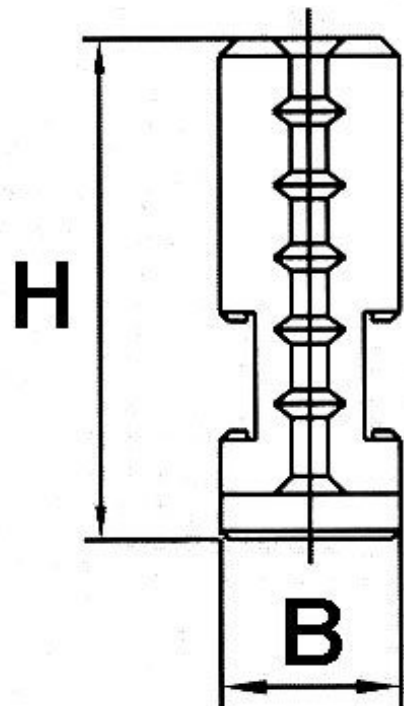
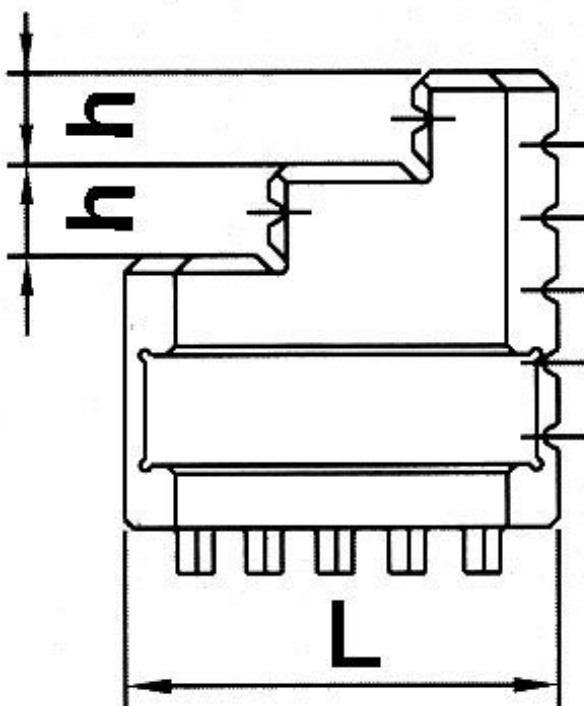
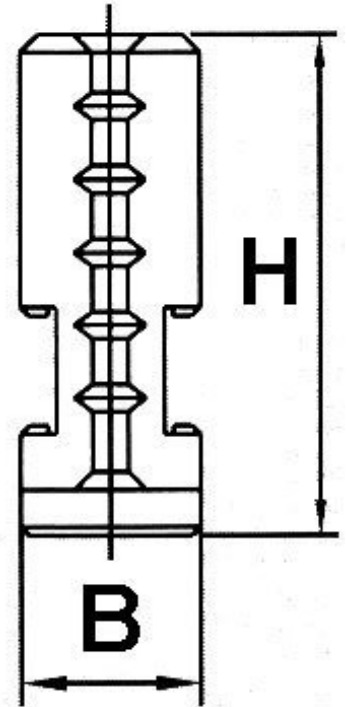
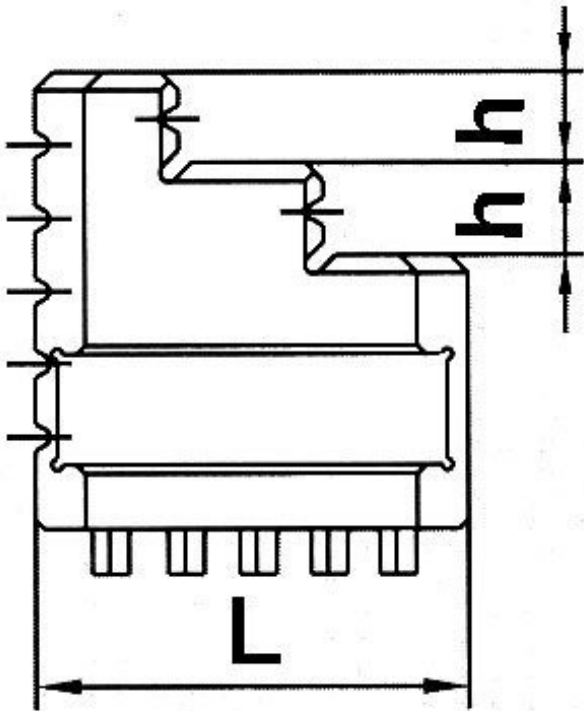


FUERDA Standard Hard Jaw Set

Description

1 set of hardened steel replacement jaws to suit Fuerda K11 chucks

Specifications



FUERDA Standard Hard Jaw Set

ORDER CODE

FUERDA Standard Hard Jaw Set

C2874

Suits 3 Jaw Chuck Size (mm)	Ø160
Jaw Type	Standard
L (mm)	70
B (mm)	18.5
H (mm)	54
h (mm)	12