

#53+54

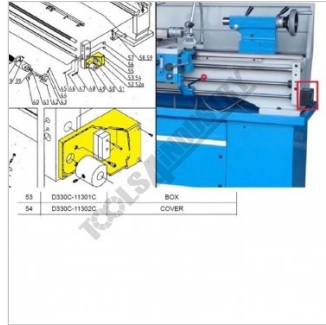
SWITCH BOX COVER



SWITCH BOX COVER #53+54



2.JPG



Specifications

ORDER CODE

~