

**#56**

**MOTOR TAIL CASING**



## MOTOR TAIL CASING #56

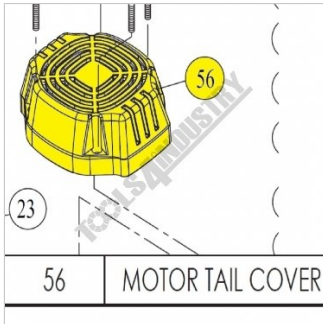


Image 2

### Features

- L 10cm x W 11cm x H 5cm
- Weight 1 kg

### Specifications

ORDER CODE

~