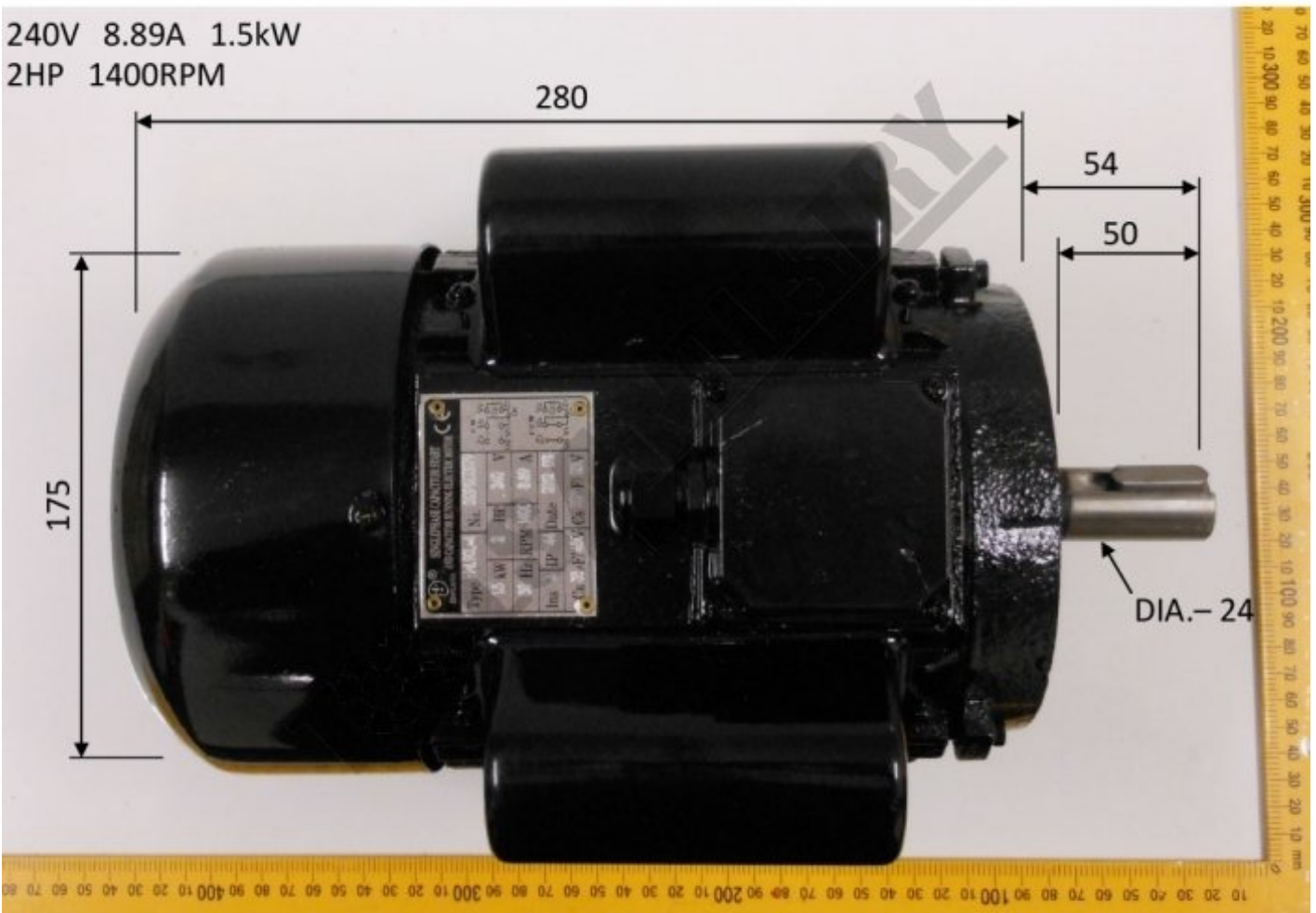
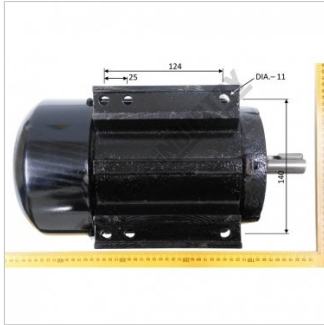


**#10**

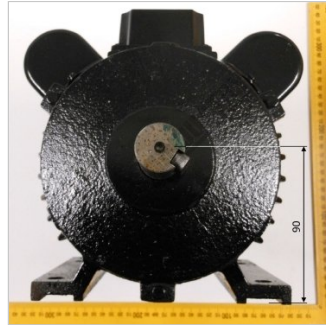
**MOTOR 2HP 240V 1450 RPM**



## MOTOR 2HP 240V 1450 RPM #10



2LX0025 MOTOR 240A 2HP  
1400RPM 2



2LX0025 MOTOR 240A 2HP  
1400RPM 3

### Description

FOOT MOUNT ELECTRIC MOTOR TO SUIT AL-336 AND AL-336D LATHES

Shaft needs a 8mm key for connection

### Specifications

<b>ORDER CODE</b>	2LX0025
<b>MODEL</b>	~
<b>Motor Power (kW / hp)</b>	2
<b>Speed (rpm)</b>	1360
<b>Shaft Diameter (mm)</b>	24
<b>Reversible Motor (Yes / No)</b>	~
<b>Fan Cooled (Yes / No)</b>	Yes
<b>Voltage (V)</b>	240
<b>Amps Required</b>	9.35
<b>Input Power Supply Connection</b>	~